

# DH-PFA113

## Ceiling Mount Bracket



### Features

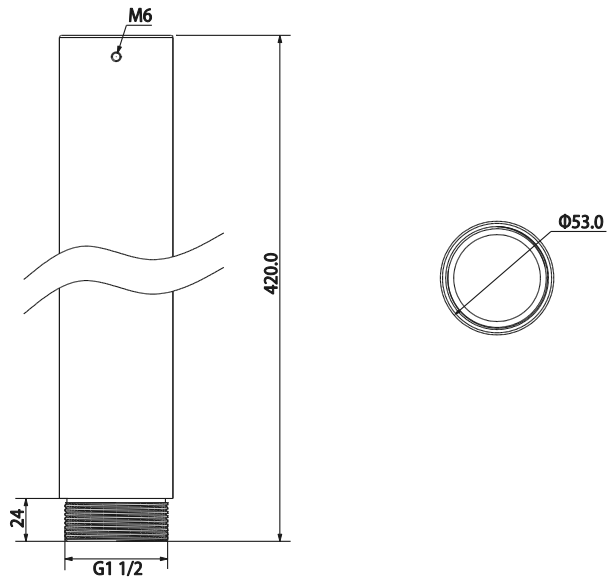
- Material: Aluminum
- Ceiling Mount Bracket
- Neat & Integrated design

### Specifications

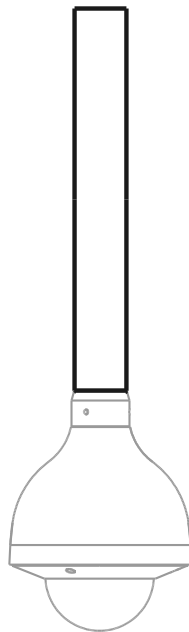
Model	DH-PFA113
<b>General</b>	
Material	Aluminum
Dimension (W x H x D)	Φ53mm x 420mm
Pipe Thread	1 1/2" PF
Operating Temperature	-40°C ~60°C
Humidity	0~90% RH
Load Bearing	N/A
Weight	1.0kg
Applicable Model	PFB300C, PFB301C

# DH-PFA113

## Dimensions (mm)



## Application



---

### Dahua Technology Co., Ltd.

1187 BinAn Road, Binjiang District, Hangzhou, China

Tel: +86-571-87688883

Fax: +86-571-87688815

Email: [overseas@dahuatech.com](mailto:overseas@dahuatech.com)

[www.dahuasecurity.com](http://www.dahuasecurity.com)

\*Design and specifications are subject to change without notice.

© 2013 Dahua Technology Co., Ltd.