

DH-OTC802

Eight-Channel HDCVI Optical Transceiver



DH-OTC802T (Transmitter)



DH-OTC802R (Receiver)

Features

- Lossless non-compression real time transmission
- Auto recognition of input video format as 25/30/50/60fps@720P & 25/30fps@1080P
- UPnP, easy installation
- LED indicators
- Wide-range temperature application: -40°C ~75°C

Specifications

Model	DH-OTC802T/R
Optical Index	
Physical Port	SFP+ port, Single-mode fiber
Transmission Distance	0-20km
HDCVI Video Index	
Physical Port	Transmitter (OTC802T): 8*BNC, 1*RS485 Receiver (OTC802R): 16*BNC, 1*RS485
Transmitter Input Level	>500mVp-p
Receiver Output Level	1Vp-p
Input Auto Cable Balance	1080p: 75-5 coaxial support 300m 720p : 75-5 coaxial support 500m
Transmitter Input Relection Loss	>15dB
Input/Output Impedance	75Ω
Video Bandwidth	45MHz
Sampling Bandwidth	10bit

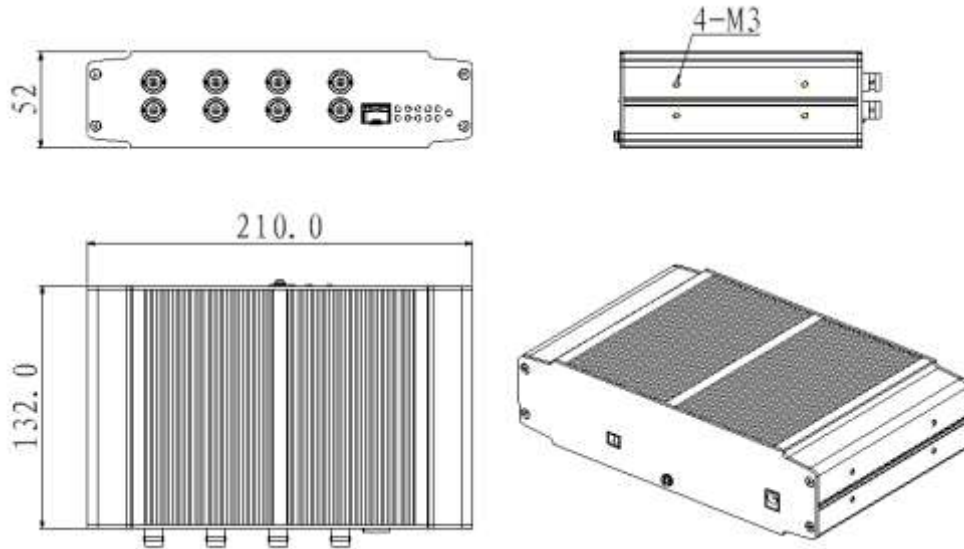
DH-OTC802

Sampling Frequency	108MHz
HDCVI Coaxial Control Data Index	
Work Mode	Half-dual
Error Rate	<10 ⁻⁹
Baud Rate	1200-9600bps
Other	
Indicator	Light linker, power, data, video source indicator
Power	DC12V 2A
Power Consumption	OTC802T: <8.5W; OTC802R: <11.5W
Temperature	-40°C ~75°C
Humidity	10%~90% RH
Unit Weight	1.74Kg
Dimension	210mm×132mm×52mm
Installation	Wall mount

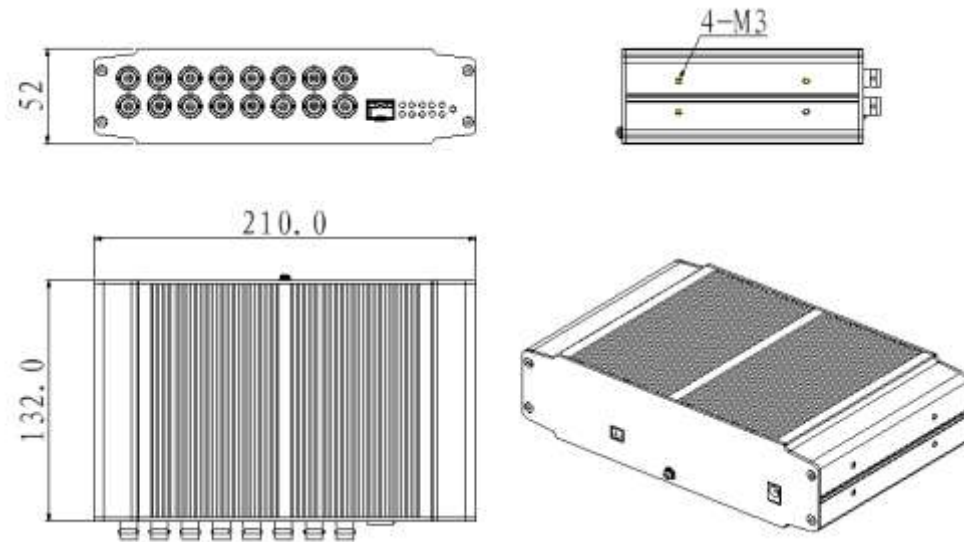
DH-OTC802

Dimensions (mm)

Transmitter

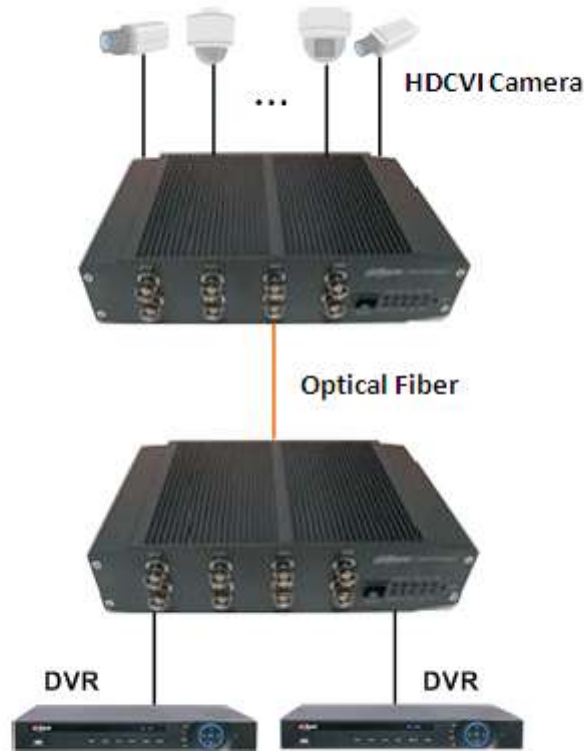


Receiver



DH-OTC802

Application



Dahua Technology Co., Ltd.

1199 BinAn Road, Binjiang District, Hangzhou, China

Tel: +86-571-87688883

Fax: +86-571-87688815

Email: overseas@dahuatech.com

www.dahuasecurity.com

*Design and specifications are subject to change without notice.

© 2014 Dahua Technology Co., Ltd.