

# DH-OTC202

## Two-Channel HDCVI Optical Transceiver



DH-OTC202T (Transmitter)



DH-OTC202R (Receiver)

### Features

- Lossless non-compression real time transmission
- Auto recognition of input video format as 25/30/50/60fps@720P & 25/30fps@1080P
- UPnP, easy installation
- LED indicators
- Wide-range temperature application: -40°C ~75°C

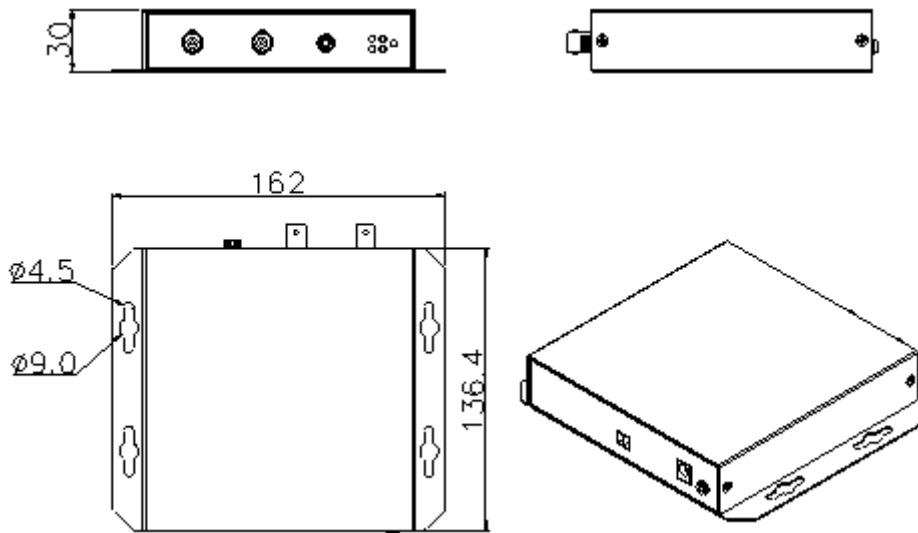
### Specifications

Model	DH-OTC202T/R
<b>Optical Index</b>	
Physical Port	FC port, Single-mode fiber
Transmission Distance	0-20km
Input/ Output Wave Length	Transmitter (OTC202T): 1310nm transmit 1550nm receive; Receiver (OTC202R): 1550nm transmit 1310nm receive
<b>HDCVI Video Index</b>	
Transmitter Input Level	> 500mVp-p
Receiver Output Level	1Vp-p
Input Auto Cable Balance	1080p: 75-5 coaxial support 300m 720p : 75-5 coaxial support 500m
Transmitter Input Relection Loss	> 15dB
Input/Output Impedance	75Ω
Physical Port	BNC port
Input/ Output Port Number	Transmitter (OTC202T): 2*BNC, 1*RS485 Receiver (OTC202R): 4*BNC, 1*RS485

## DH-OTC202

Video Bandwidth	45MHz
Sampling Bandwidth	10bit
Sampling Frequency	108MHz
<b>HDCVI Coaxial Control Data Index</b>	
Work Mode	Half-dual
Error Rate	<10 <sup>-9</sup>
Baud Rate	1200-9600bps
<b>Other</b>	
Indicator	Light linker, power, control data, video source indicator
Power	DC12V 1A
Power Consumption	≤8W
Temperature	-40°C ~75°C
Humidity	10%~90% RH
Unit Weight	200g
Dimension	162mm×136.4mm×30mm
Installation	Wall mount

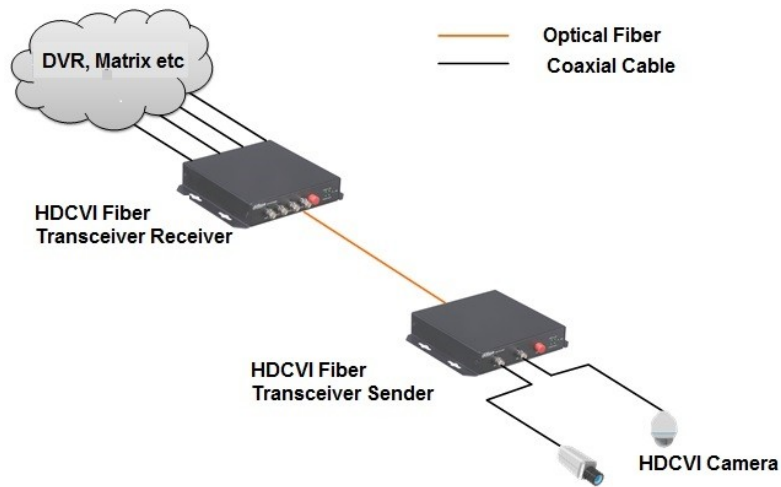
### Dimensions (mm)



# DH-OTC202

---

## Application



---

### Dahua Technology Co., Ltd.

1199 BinAn Road, Binjiang District, Hangzhou, China

Tel: +86-571-87688883

Fax: +86-571-87688815

Email: [overseas@dahuatech.com](mailto:overseas@dahuatech.com)

[www.dahuasecurity.com](http://www.dahuasecurity.com)

\*Design and specifications are subject to change without notice.

© 2014 Dahua Technology Co., Ltd.