

Intelligent Traffic Narrow Wave Radar



Model: DH-ITARD-024SA-S

Features

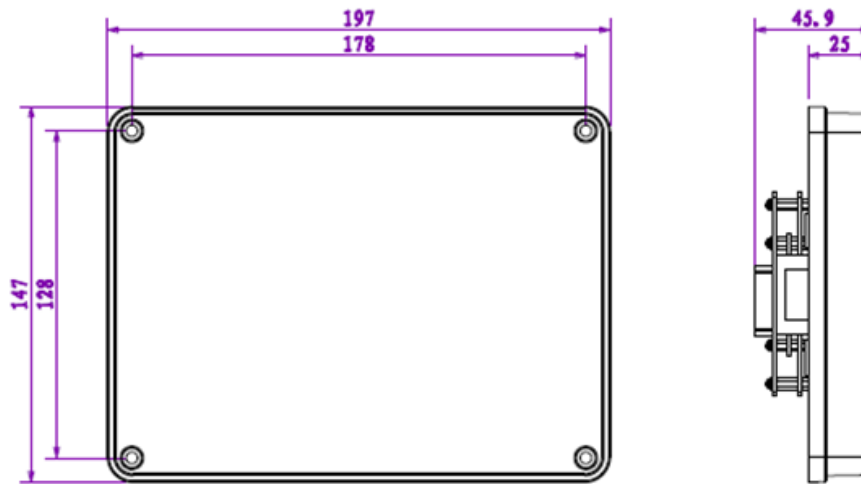
- > Support two-way speed measuring, High Measure Accuracy
- > Support high speed/ low speed detection, with wide speed range
- > Narrow wave plate antenna design
- > Working parameters can be set flexible, with high sensitivity

Specifications

Model		DH-ITARD-024SA-S
General	Measure Range	10km/h ~ 250km/h
	Lane	Support 1 lanes
	Radar distance	≥60m
	Measure Accuracy	±1 km/h
	Vibration Frequency	24.125GHz
	Reaction Time	≤33ms
Environmental	Power Supply	DC10.5V~14.5V
	Rated voltage	DC12V+ / AC24V
	Rated Current	<400mA
	Transmission power	7dBm
	Power Consumption	<4.5mW
	Antenna lobe Angle	Level 5 degrees (3 db), vertical 7 degrees (3 db)
	Operating Environment	Temperature-30°C~+70°C, humidity10%~90%
	Hardware interface	1 RS232
	communication mode	serial port protocol
	Dimension	179*147*45.9 mm(WxDxH)
	Weight	1.4Kg

DH-ITARD-024SA-S

Dimensions (mm)



Dahua Technology Co., Ltd.

1199BinAn Road, Binjiang District, Hangzhou, China

Tel: +86-571-87688883

Fax: +86-571-87688815

Email: overseas@dahuatech.com

www.dahuatech.com

*Design and specifications are subject to change without notice.