

DH-IPC-KW100/ 100A /100W

1.3Megapixel HD Cube Network Camera



Features

- 1/3" 1.3Megapixel Aptina CMOS
- H.264 & MJPEG dual-stream encoding
- Max 25/30fps@1.3M (1280×960)/ 720P(1280×720)
- DWDR, Day/Night, 2DNR, Auto iris, AWB, AGC, BLC
- Multiple network monitoring: Web viewer, CMS(DSS/PSS) & DMSS
- 3.6mm fixed lens
- IR LEDs length 10m
- PIR sensor range 6m
- Audio linkage and Audio detect
- Micro SD memory (KW100A only), PoE (KW100&KW100A only), Wi-Fi (KW100W only)

DH-IPC-KW100/ 100A /100W

Technical Specifications

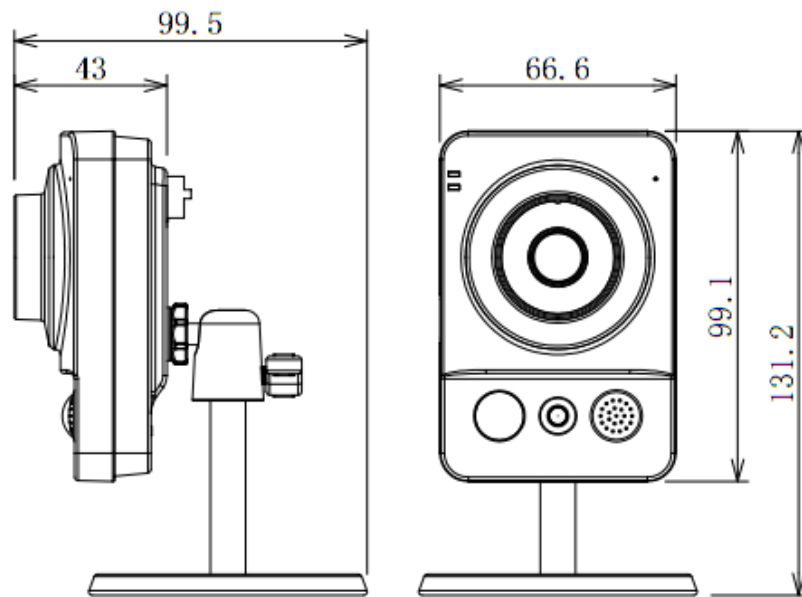
Model	DH-IPC-KW100	DH-IPC-KW100A	DH-IPC-KW100W
Camera			
Image Sensor	1/3" 1.3Megapixel Aptina CMOS		
Effective Pixels	1280(H)x960(V)		
Scanning System	Progressive		
Electronic Shutter Speed	Auto/Manual, 1/3(4)~1/10000		
Min. Illumination	0.01lux/F1.8(color), 0Lux/F1.8(IR on)		
S/N Ratio	More than 50dB		
Video Output	N/A		
Camera Features			
Max. IR LEDs Length	10m		
Day/Night	Auto(ICR) / Color / B/W		
Backlight Compensation	BLC / HLC / DWDR		
White Balance	Auto/Manual		
Gain Control	Auto/Manual		
Noise Reduction	2D		
Privacy Masking	Up to 4 areas		
Lens			
Focal Length	3.6mm		
Max Aperture	F1.8		
Focus Control	Manual		
Angle of View	70°		
Lens Type	Fixed Lens		
Mount Type	Board-in Type		
Video			
Compression	H.264/MJPEG		
Resolution	1.3M(1280x960)/720P(1280x720)/D1/CIF		
Frame Rate	Main Stream	1.3M/720P(1~25/30fps)	
	Sub Stream	D1/CIF(1 ~ 25/30fps)	
Bit Rate	H.264: 16K ~ 8096Kbps		
Audio			
Compression	N/A	G.711a / G.711u/ PCM	
Interface	N/A	Built-in Mic, Built-in speaker	
Network			
Ethernet	RJ-45 (10/100Base-T)		
Wi-Fi	N/A	Wi-Fi(802.11b/g)	
Protocol	IPv4/IPv6, HTTP, SSL, TCP/IP, UDP, UPnP, ICMP, IGMP, SNMP, RTSP, RTP, SMTP, NTP, DHCP, DNS, PPPOE, DDNS, FTP, IP Filter, QoS, Bonjour		
ONVIF	ONVIF Profile S		
Max. User Access	10 users		
Smart Phone	iPhone, iPad, Android, Windows Phone		

DH-IPC-KW100/ 100A /100W

Auxiliary Interface			
Memory Slot	N/A	Micro SD, Max 64GB	N/A
RS485	N/A		
Alarm	N/A	1/1 channel In/Out	
PIR Sensor Range	Up to 6m		
General			
Power Supply	DC12V, PoE(802.3af)		DC12V
Power Consumption	<4W		
Working Environment	-10°C~ +50°C, Less than 95%RH		
Ingress Protection	N/A		
Vandal Resistance	N/A		
Dimensions(W×D×H)	66.6mm×99.5mm×131.2mm		
Weight	0.35Kg (0.4kg with bracket)		

DH-IPC-KW100/ 100A /100W

Dimensions (mm)



Dahua Technology Co., Ltd.

1187 BinAn Road, Binjiang District, Hangzhou, China

Tel: +86-571-87688883

Fax: +86-571-87688815

Email: overseas@dahuatech.com

www.dahuatech.com

*Design and specifications are subject to change without notice.

© 2013 Dahua Technology Co., Ltd.