

DH-IPC-HFW5221E-Z-V

2MP Full HD WDR Vandal Proof Network IR-Bullet Camera



Features

- 1/2.7" 2Megapixel progressive scan CMOS
- Support H.264/H.264H/H.264B/MJPEG multiple codec
- 25/30fps@1080(1920×1080)
- Smart Detection supported
- WDR(120dB), Day/Night(ICR), 3DNR, AWB, AGC, BLC
- Multiple network monitoring: Web viewer, CMS(DSS/PSS) & DMSS
- 2.7mm ~12mm motorized Varifocal lens
- 2/1 Alarm in/out, 1/1 audio in/out
- Max. IR LEDs Length 50m
- Micro SD memory, IP67, PoE
- Vandal Proof

DH-IPC-HFW5221E-Z-V

Technical Specifications

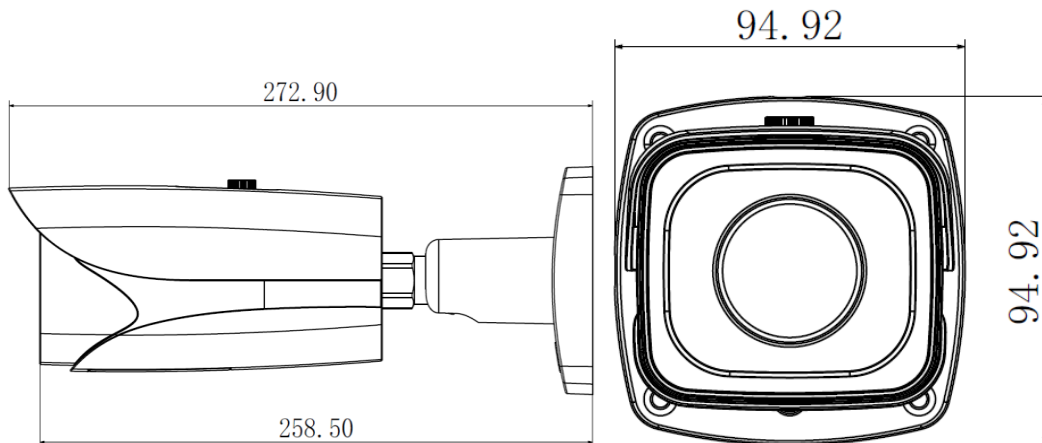
Model	DH-IPC-HFW5221E-Z-V
Camera	
Image Sensor	1/2.7" 2Megapixel progressive scan WDR Sensor
Effective Pixels	1920(H) x 1080(V)
Scanning System	Progressive
Electronic Shutter Speed	Auto/Manual, 1/3(4)~1/100000s
Min. Illumination	0.01Lux/F1.4(Color); 0Lux/F1.4(IR on)
S/N Ratio	More than 50dB
Video Output	1 port (SDTV-Composite Video)
Camera Features	
Max. IR LEDs Length	50m
Day/Night	Auto(ICR) / Color / B/W
Backlight Compensation	BLC / HLC / WDR(120dB)
Image Setting	Compression, Brightness, Contrast, Mirroring, Sharpness, AWB, AES, AGC, BLC, Day/Night mode, WDR, Privacy Masking, Sunny/Night/Outdoor/Customized mode, HLC.
Wide Dynamic Range	120dB WDR
White Balance	Auto/Sunny/Night/Outdoor/Customized
Gain Control	Auto/Manual
Noise Reduction	3D
Privacy Masking	Up to 4 areas
Lens	
Focal Length	2.7mm~12mm Varifocal Motorized
Max Aperture	F1.4
Focus Control	Motorized
Angle of View	H: 99°~34°
Lens Type	Motorized/ Auto Iris(DC)
Mount Type	Board-in Type
Video	
Compression	H.264/H.264H/H.264B/MJPEG
Resolution	1080P(1920x1080)/1.3M(1280x960)/720P(1280x720)/D1(704x576 /704x480)/CIF(352x288/352x240)
Multistream	Triple Streaming (3 Independent Streams)
Frame Rate	1080P/720P(1 ~ 25/30fps)
Bit Rate	H.264: 32K bps~ 10Mbps
Audio	
Compression	G.711a/ G.711u/ AAC
Interface	1/1 channel In/Out
Smart Function	
Smart detection	Tripwire
	Intrusion
	Abandoned/Missing

DH-IPC-HFW5221E-Z-V


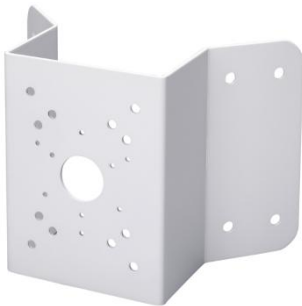

	Scene Change
	Audio detect
	Face detect
Network	
Ethernet	RJ-45 (10/100Base-T)
Security	Password, IP Address Filtering, User Privileges
Protocol	IPv4/IPv6, HTTP, HTTPS, SSL, TCP/IP, UDP, UPnP, ICMP, IGMP, SNMP, RTSP, RTP, RTCP, SMTP, NTP, DHCP, DNS, PPPOE, DDNS, FTP, IP Filter, QoS, Bonjour, PSS/web Client, ARP, 802.1x
ONVIF	ONVIF,PSIA,CGI
Max. User Access	20users
Smart Phone	iPhone, iPad, Android, Windows Phone
Auxiliary Interface	
Memory Slot	Micro SD, Max up to128GB for Local Storage, Support automatic uploading to NVR, Support automatic re-write once full
Alarm	2/1 channel In/Out
Alarm Trigger	Intelligent Video, Network loss/Disconnect, Smart Functions, Motion Detection, Periodical timer configurable
Alarm Event	FTP Upload, Event Snapshot Upload, External Alarm Output, Event/Video/Snapshot recording to SD Card, Event Pop-up in PSS Client/Web client, Alarm Log Viewer.
General	
Power Supply	DC12V, PoE (802.3af)
Power Consumption	<11.5W (with IR on, motorized lens working)
Working Environment	-30°C~+60°C, Less than 95% RH
Ingress Protection	IP67
Housing	Metal Body (Aluminum) with cable management bracket
Vandal Resistance	Yes
Dimensions	272.9 mm × 94.9mm× 94.9mm
Weight	1.1kg
Approvals	FCC Part 15 subpart B, CE EN55022 Class B, EN55024, UL, ROHS, LVD

DH-IPC-HFW5221E-Z-V

Dimensions (mm)



Accessory (optional)

PFA121	PFA151	PFA152
		

Dahua Technology Co., Ltd.

1199 BinAn Road, Binjiang District, Hangzhou, China

Tel: +86-571-87688883

Fax: +86-571-87688815

Email: overseas@dahuatech.com

www.dahuasecurity.com

*Design and specifications are subject to change without notice.

© 2015 Dahua Technology Co., Ltd.