

DH-IPC-HDPW4220F-W

2MP Full HD Wi-Fi IR Wedge Dome Camera



Features

- 1/2.8" 2Megapixel progressive scan CMOS
- Support H.264&MJPEG dual codec
- 25/30fps@1080P(1920×1080)
- Smart Detection supported
- DWDR, Day/Night(ICR), 3DNR,AWB,AGC,BLC,
- Multiple network monitoring: Web viewer, CMS(DSS/PSS) & DMSS
- 3.6mm fixed lens (2.8mm, 6mm optional)
- Built-in Mic
- Max. IR LEDs Length 20m
- Micro SD memory, IP66
- Wi-Fi support

DH-IPC-HDPW4220F-W

Technical Specifications

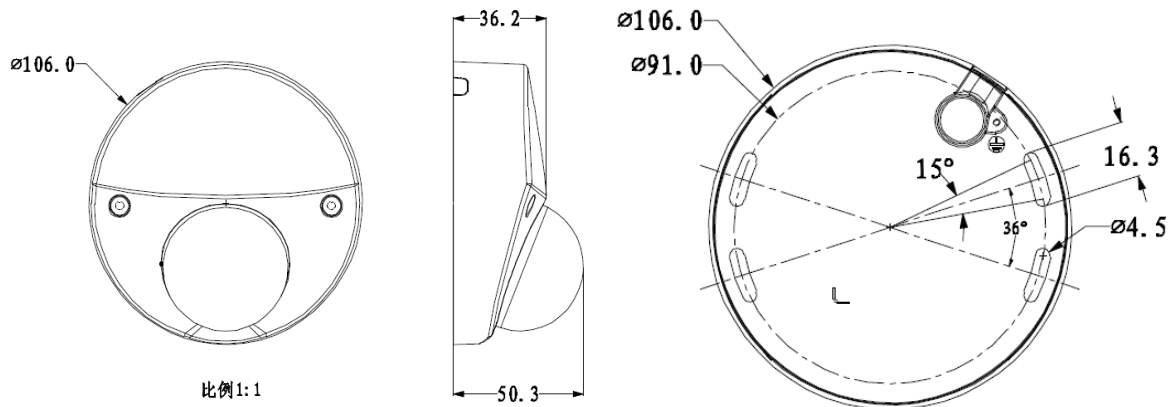
Model		DH-IPC-HDPW4220F-W
Camera		
Image Sensor	1/2.8" 2Megapixel progressive scan CMOS	
Effective Pixels	1920(H) × 1080(V)	
Scanning System	Progressive	
Electronic Shutter Speed	Auto/Manual, 1/3(4)~1/100000s	
Min. Illumination	0.01lux/F2.0(color),0lux/F2.0 (IR on)	
S/N Ratio	More than 50dB	
Video Output	N/A	
Camera Features		
Max. IR LEDs Length	20m	
Day/Night	Auto(ICR)/Color/B/W	
Backlight Compensation	BLC / HLC / DWDR	
White Balance	Auto/Sunny/Night/Outdoor/Customized	
Gain Control	Auto/Manual	
Noise Reduction	3D	
Privacy Masking	Up to 4 areas	
Lens		
Focal Length	3.6mm (2.8mm,6mm optional)	
Max Aperture	F2.0(F2.0,F2.0)	
Focus Control	Manual	
Angle of View	H:84°(106°/56°)	
Lens Type	Fixed lens	
Mount Type	Board Type	
Video		
Compression	H.264/H.264H/H.264B/MJPEG	
Resolution	1080P(1920x1080)/1.3M(1280x960)/720P(1280×720)/D1(704×576 /704×480) /CIF(352×288/352×240)	
Frame Rate	Main Stream	1080P/720P(1 ~ 25/30fps)
	Sub Stream	D1/CIF(1 ~ 25/30fps)
	Third Stream	720P(1-13/4fps)
Bit Rate	H.264: 32K ~ 10Mbps	
Corridor Mode	Support	
Audio		
Compression	G.711a/ G.711u/ AAC	
Interface	Built-in Mic	
Smart Function(Optional)		
Smart detection	Tripwire	
	Intrusion	
	Abandoned/Missing	
	Scene Change	
	Audio detection	

DH-IPC-HDPW4220F-W

	Face detection
Network	
Ethernet	RJ-45 (10/100Base-T)
Wi-Fi	Wi-Fi(IEEE802.11b/g/n) 50m(open field)
Protocol	IPv4/IPv6, HTTP, HTTPS, SSL, TCP/IP, UDP, UPnP, ICMP, IGMP, SNMP, RTSP, RTP, SMTP, NTP, DHCP, DNS, PPPOE, DDNS, FTP, IP Filter, QoS, Bonjour, 802.1x
Compatibility	ONVIF,PSIA,CGI
Max. User Access	20 users
Smart Phone	iPhone, iPad, Android, Windows Phone
Auxiliary Interface	
Memory Slot	Micro SD Max 128GB
RS485	N/A
Alarm	N/A
PIR Sensor Range	N/A
General	
Power Supply	DC12V
Power Consumption	Max 5W
Working Environment	-30°C~+50°C, Less than 95% RH
Ingress Protection	IP66
Vandal Resistance	N/A
Dimensions	Φ 106mm×50.3mm
Weight	0.35kg

DH-IPC-HDPW4220F-W

Dimensions (mm)



Accessory (optional)

PFB204W	PFA152	PFA139
		

Dahua Technology Co., Ltd.

1187BinAn Road, Binjiang District, Hangzhou, China

Tel: +86-571-87688883

Fax: +86-571-87688815

Email: overseas@dahuatech.com

www.dahuasecurity.com

*Design and specifications are subject to change without notice.

© 2015 Dahua Technology Co., Ltd.