

DH-IPC-HDBW2320R-ZS/VFS

3MP HD Network IR Dome Camera



Features

- 1/3" 3Megapixel progressive CMOS
- H.264 & MJPEG dual-stream encoding
- Max 20fps@3M(2304x1296) (2048x1536)&25/30fps@1080P(1920 x1080)
- DWDR, Day/Night(ICR), 3DNR, AWB, AGC, BLC
- Multiple network monitoring: Web viewer, CMS(DSS/PSS) & DMSS
- 2.7~12mm varifocal lens
- Max IR LEDs Length 30m
- IP67, IK10, PoE
- Micro SD card slot, up to 128GB

DH-IPC-HDBW2320R-ZS/VFS

Technical Specifications

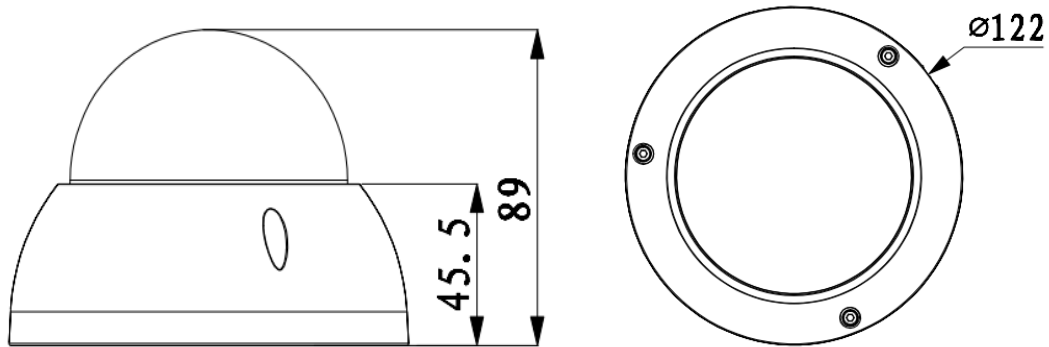
Model	DH-IPC-HDBW2320R-VFS		DH-IPC-HDBW2320R-ZS
Camera			
Image Sensor	1/3" 3Megapixel progressive scan CMOS		
Effective Pixels	2304(H)x1536(V)		
Scanning System	Progressive		
Electronic Shutter Speed	Auto/Manual, 1/3(4)~1/100000s		
Min. Illumination	0. 01Lux/F1.4 (Color), 0Lux/F1.4(IR on)		
S/N Ratio	More than 50dB		
Video Output	N/A		
Camera Features			
Max. IR LEDs Length	30m		
Day/Night	Auto(ICR)/Color/B/W		
Backlight Compensation	BLC / HLC / DWDR		
White Balance	Auto/Manual		
Gain Control	Auto/Manual		
Noise Reduction	3D		
Privacy Masking	Up to 4 areas		
Lens			
Focal Length	2.7mm~12mm	2.7mm~12mm	
Max Aperture	F1.4	F1.4	
Focus Control	Manual	Auto	
Angle of View	H: 92° ~28°	H: 92° ~28°	
Lens Type	Manual/Fixed Iris	Motorized/Fixed Iris	
Mount Type	Board-in Type	Board-in Type	
Video			
Compression	H.264/ H.264H/ MJPEG		
Resolution	3M(2304x1296) (2048x1536)/1080P(1920x1080)/1.3M(1280×960) /720P(1280×720)/D1(704×576/704×480)/CIF(352×288/352×240)		
Frame Rate	Main Stream	3M(1 ~ 20fps)/1080P (1 ~ 25/30fps)	
	Sub Stream	D1/CIF(1 ~ 25/30fps)	
Bit Rate	H.264H: 40K ~ 8192Kbps;		
Audio			
Compression	N/A		
Interface	N/A		
Network			
Ethernet	RJ-45 (10/100Base-T)		
Wi-Fi	N/A		
Protocol	IPv4/IPv6, HTTP, HTTPS, SSL, TCP/IP, UDP, UPnP, ICMP, IGMP, SNMP, RTSP, RTP, SMTP, NTP, DHCP, DNS, PPPOE, DDNS, FTP, IP Filter, QoS, Bonjour		
Compatibility	ONVIF, CGI		
Max. User Access	20 users		

DH-IPC-HDBW2320R-ZS/VFS





Smart Phone	iPhone, iPad, Android, Windows Phone	
Auxiliary Interface		
Memory Slot	Micro SD , Max 128GB	
RS485	N/A	
Alarm	N/A	
PIR Sensor Range	N/A	
General		
Power Supply	DC12V, PoE (802.3af)	
Power Consumption	<5.5W	<8.5W
Working Environment	-30°C~+60°C, Less than 95% RH	
Ingress Protection	IP67	
Vandal Resistance	IK10	
Dimensions	φ122mm×89mm	
Weight	0.5kg	

DH-IPC-HDBW2320R-ZS/VFS

Dimensions (mm)



Accessories (optional)

PFA137	PFB203W	PFA152	PFB200C
			

Dahua Technology Co., Ltd.

1199 BinAn Road, Binjiang District, Hangzhou, China

Tel: +86-571-87688883

Fax: +86-571-87688815

Email: overseas@dahuatech.com

www.dahuasecurity.com

*Design and specifications are subject to change without notice.

© 2015 Dahua Technology Co., Ltd.

DH-IPC-HDBW2320R-ZS/VFS
