

## DH-IPC-HDBW1320E

---

### 3MP HD Network Mini IR Dome Camera



#### Features

- 1/3" 3Megapixel progressive scan CMOS
- H.264&MJPEG dual-stream encoding
- Max 20fps@3M(2048x1536) (2304x1296)&25/30fps@1080P(1920x1080)
- DWDR, Day/Night(ICR), 3DNR, AWB, AGC, BLC
- Multiple network monitoring: Web viewer, CMS(DSS/PSS) & DMSS
- 3.6mm fixed lens (2.8mm optional)
- Max. IR LEDs Length 30m
- IP67, IK10, PoE

# DH-IPC-HDBW1320E

## Technical Specifications

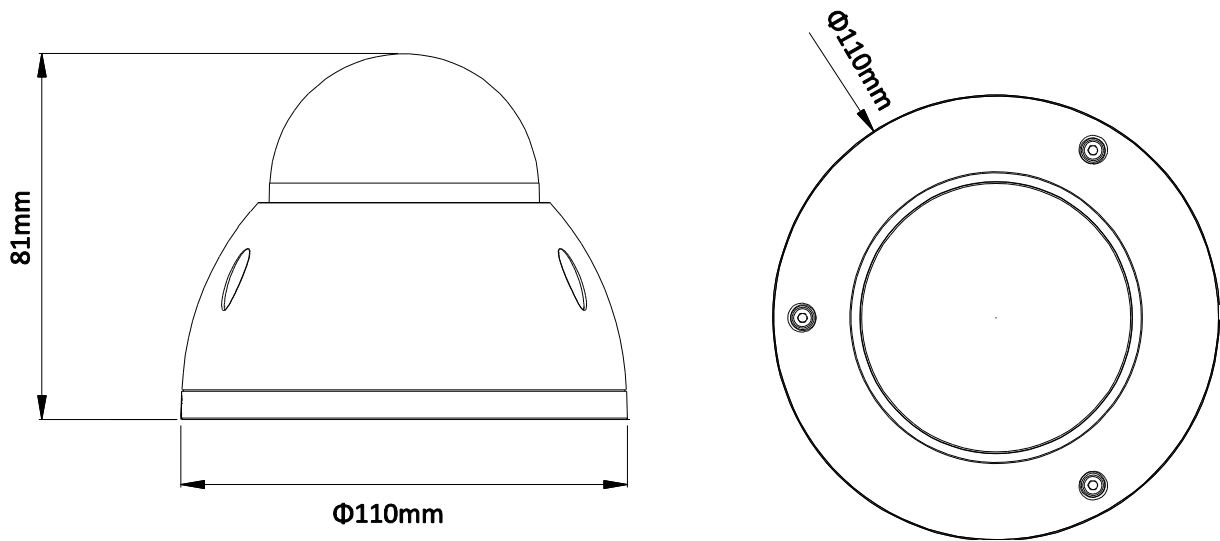
<b>Model</b>	<b>DH-IPC-HDBW1320E</b>	
<b>Camera</b>		
Image Sensor	1/3" 3Megapixel progressive scan CMOS	
Effective Pixels	2304(H) x1536(V)	
Scanning System	Progressive	
Electronic Shutter Speed	Auto/Manual, 1s~1/100000s	
Min. Illumination	0. 1Lux/F2.0(Color), 0Lux/F2.0(IR on)	
S/N Ratio	More than 50dB	
Video Output	N/A	
<b>Camera Features</b>		
Max. IR LEDs Length	30m	
Day/Night	Auto(ICR)/Color/B/W	
Backlight Compensation	BLC / HLC / DWDR	
White Balance	Auto/Manual	
Gain Control	Auto/Manual	
Noise Reduction	3D	
Privacy Masking	Up to 4 areas	
<b>Lens</b>		
Focal Length	3.6mm(2.8mm optional)	
Max Aperture	F2.0(F2.0)	
Focus Control	Manual	
Angle of View	H: 81°(92°)	
Lens Type	Fixed lens	
Mount Type	Board-in Type	
<b>Video</b>		
Compression	H.264/ H.264H/ H.264B/ MJPEG	
Resolution	3M(2048×1536)(2304×1296)/1080P(1920×1080)/720P(1280×720) / D1(704×576/704×480) /CIF(352×288/352×240)	
Frame Rate	Main Stream	3M(1 ~ 20fps)/1080P(1 ~ 25/30fps)
	Sub Stream	D1(1 ~ 25/30fps)
Bit Rate	H.264: 4kbps~8192kbps	
Corridor Mode	Support	
<b>Audio</b>		
Compression	N/A	
Interface	N/A	
<b>Network</b>		
Ethernet	RJ-45 (10/100Base-T)	
Wi-Fi	N/A	
Protocol	IPv4/IPv6, HTTP, HTTPS, TCP/IP, UDP, UPnP, ICMP, IGMP, RTSP, RTP, SMTP, NTP, DHCP, DNS, PPPOE, DDNS, FTP, IP Filter, QoS	
Compatibility	ONVIF, CGI	
Max. User Access	20 users	

## DH-IPC-HDBW1320E

Smart Phone	iPhone, iPad, Android, Windows Phone
<b>Auxiliary Interface</b>	
Memory Slot	N/A
RS485	N/A
Alarm	N/A
PIR Sensor Range	N/A
<b>General</b>	
Power Supply	DC12V, PoE (802.3af)
Power Consumption	<4W(IR on)
Working Environment	-30°C~+60°C, Less than 95% RH
Ingress Protection	IP67
Vandal Resistance	IK10
Dimensions	Φ110mm×81mm
Weight	0.47kg

# DH-IPC-HDBW1320E

## Dimensions (mm)



## Accessories (optional)

PFB203W	PFB200W	PFA152
		
PFA136	PFA150	PFA151
		

### Dahua Technology Co., Ltd.

1199BinAn Road, Binjiang District, Hangzhou, China

Tel: +86-571-87688883

Fax: +86-571-87688815

Email:overseas@dahuatech.com

www.dahuasecurity.com

\*Design and specifications are subject to change without notice.

© 2015 Dahua Technology Co., Ltd.