

DH-HDC-HFW2200S

Full HD 1080P Mini IR HD-SDI Bullet Camera



Features

- > 1/3" 3Megapixel Aptina CMOS
- > Standard HD-SDI high definition digital interface (SMPT274/292)
- > 25/30fps@1080p, 50/60fps@720P(1280×720)
- > DWDR, Day/Night(ICR), 3DNR, AWB, AGC, BLC
- > 3.6mm fixed lens (.6mm optional)
- > Max.IR LEDs Length 20m
- > OSD, DC12V, IP66

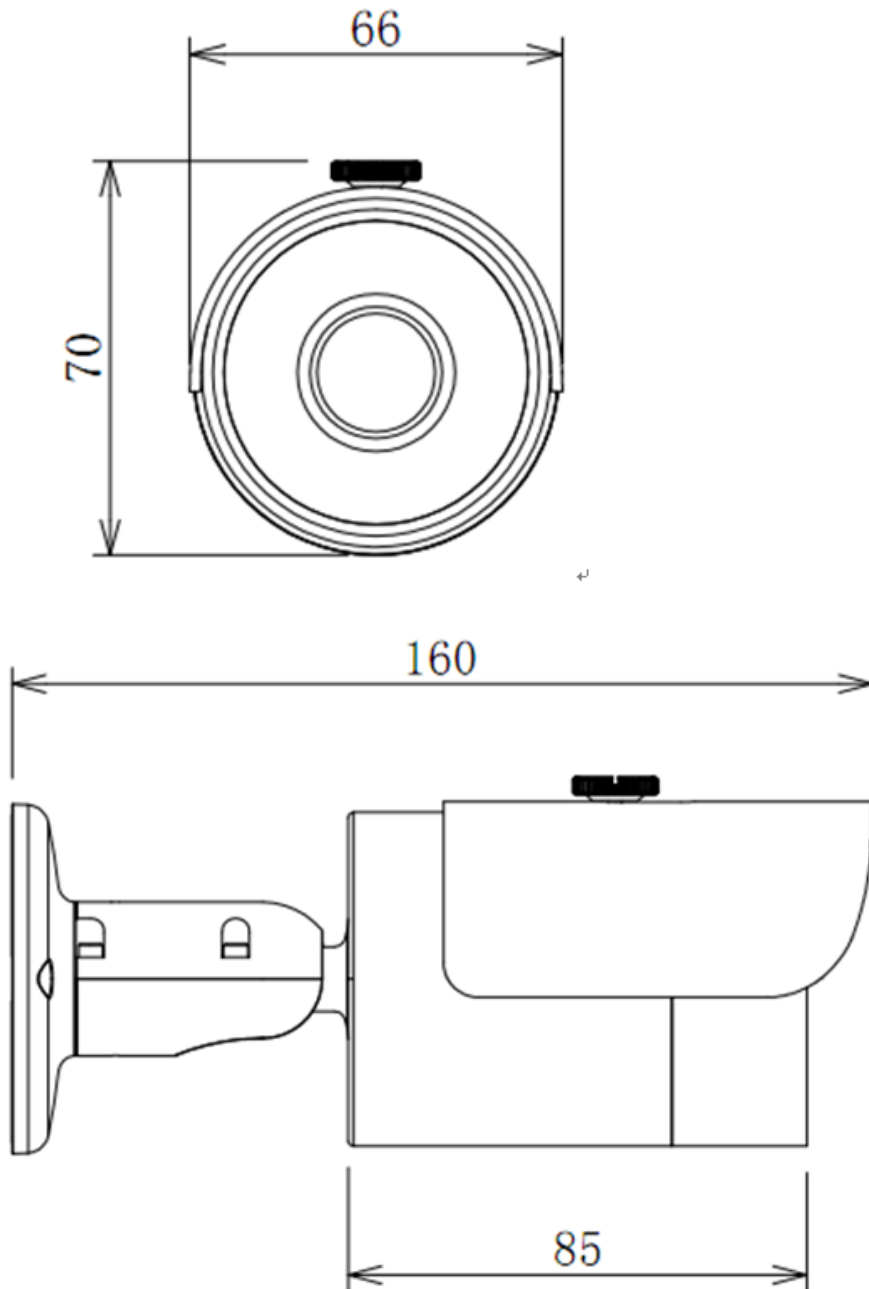
DH-HDC-HFW2200S

Technical Specifications

Model	DH-HDC-HFW2200SP	DH-HDC-HFW2200SN
Camera		
Image Sensor	1/3" 3Megapixel Aptina CMOS	
Effective Pixels	1920(H) x1080(V)	1920(H) x1080(V)
Electronic Shutter	Auto/Manual(1/3~1/10000s)	Auto/Manual(1/4~1/10000s)
Image Resolution	25fps@1080P(1920×1080)/720P (1280×720); 50fps@720P(1280×720)	30fps@1080P(1920×1080)/720P (1280×720); 60fps@720P(1280×720)
Min. Illumination	Color: 0.1Lux/F1.4, B/W: 0.01Lux/F1.4, 0lux (IR on)	
S/N Ratio	>52dB	
HD-SDI Video Output	1ch HD-SDI high -definition video (SMPTE 292M standard)	
Camera Features		
OSD	English, Chinese(Simplified/Traditional)	
Day/Night	Auto(ICR) / Color / B/W	
Backlight Compensation	BLC / DWDR	
White Balance	Auto/ Manual	
Gain Control	Auto / Manual	
Noise Reduction	3D	
Picture Adjustment	Mirror / Brightness / Contrast / Sharpness / Hue / Gain	
Lens		
Focal Length	3.6mm(6mm optional)	
Max Aperture	F1.4	
Angle of View	H: 70°(46°)	
Lens Type	Fixed	
Mount Type	M12	
Auxiliary Interface		
RS485	1 Port	
General		
Power Supply	DC12V	
Power Consumption	<6W	
IR	20m	
Protective Level	IP66	
Working Environment	-10 °C ~+60 °C, ≤95%	
Dimensions	Φ113mm×86mm	
Weight	0.29Kg	
Others	Default: bracket included	

DH-HDC-HFW2200S

Dimensions (mm)



Dahua Technology Co., Ltd.

1187 BinAn Road, Binjiang District, Hangzhou, China

Tel: +86-571-87688883

Fax: +86-571-87688815

Email: overseas@dahuatech.com

www.dahuasecurity.com

*Design and specifications are subject to change without notice.

© 2013 Dahua Technology Co., Ltd.