

DH-HAC-HUM3101B

1Megapixel 720P WDR HDCVI Pinhole Camera



Features

- 1/3" 1Megapixel CMOS
- 25/30fps@720P
- High speed, long distance real-time transmission
- HD and standard definition switchable
- OSD Menu, control over coaxial cable
- WDR(120dB), Day/Night(ICR), AWB, AGC, BLC, 3D-DNR
- 3.6mm fixed lens
- DC12V

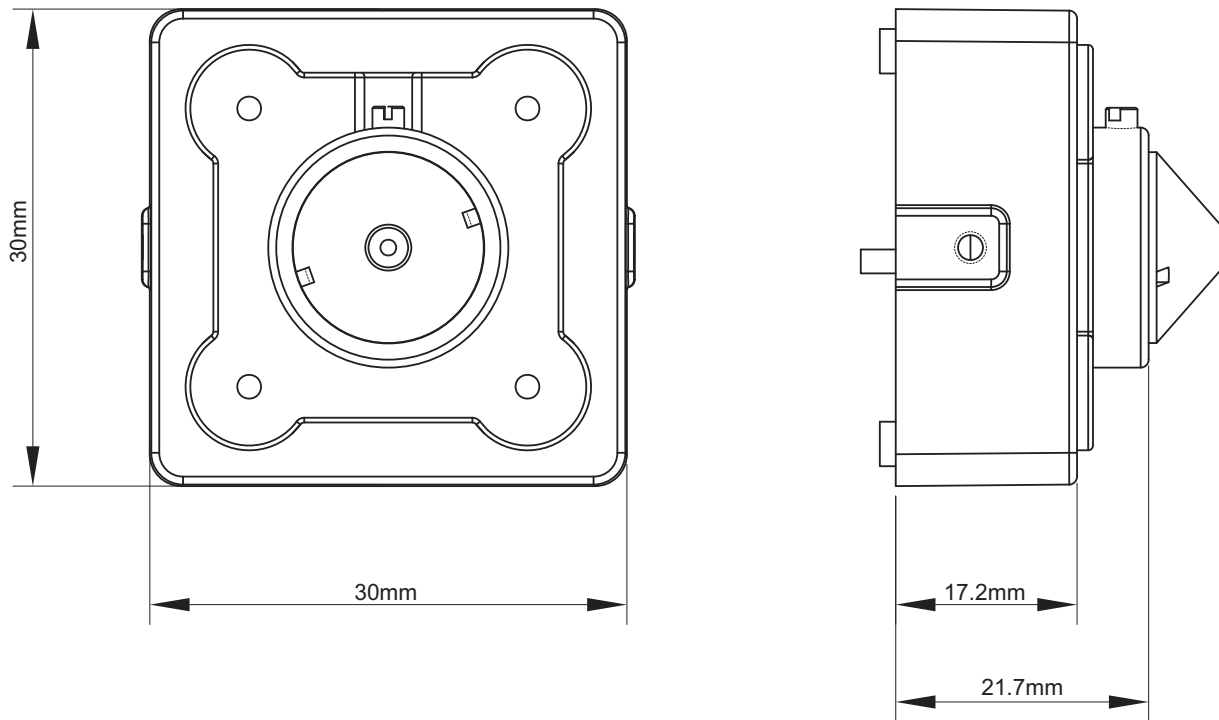
DH-HAC-HUM3101B

Technical Specifications

Model	DH-HAC-HUM3101BP	DH-HAC-HUM3101BN
Camera		
Image Sensor	1/3" 1Megapixel CMOS	
Effective Pixels	1280(H)×720(V)	
Electronic Shutter	1/50s~1/100,000s	1/60s~1/100,000s
Video Frame Rate	25/30fps@720P	
Synchronization	Internal	
Mini. Illumination	0.01Lux@F1.2(AGC ON)	
Video Output	1-channel BNC HDCVI high definition video output/ CVBS standard definition video output (Can switch)	
Camera Features		
Day/Night	Auto(Electronic) / Color / B/W	
Backlight Compensation	WDR (120dB)	
Noise Reduction	2D/3D	
OSD Menu	Support	
Lens		
Focal Length	3.6mm	
Angle of View	H: 79.7°	
Mount Type	M12	
General		
Power Supply	DC12V±10%	
Power Consumption	Max 2.5W	
Working Environment	-30°C~+60°C / Less than 95%RH (no condensation)	
Transmission Distance	Over 800m via 75-3 coaxial cable	
Dimensions(W×D×H)	30mm×30mm×21.7mm	
Weight	0.06kg	
Material	Metal	

DH-HAC-HUM3101B

Dimensions (mm)



Dahua Technology Co., Ltd.

1187 BinAn Road, Binjiang District, Hangzhou, China

Tel: +86-571-87688883

Fax: +86-571-87688815

Email: overseas@dahuatech.com

www.dahuatech.com

*Design and specifications are subject to change without notice.

© 2013 Dahua Technology Co., Ltd.