

DH-HAC-HFW2100D(-B)

1.3Megapixel 720P Water-proof IR HDCVI Camera



Features

- 1/3" 1.3Megapixel CMOS
- 25/30/50/60fps@720P
- High speed, long distance real-time transmission
- HD and standard definition switchable
- OSD Menu, control over coaxial cable
- Day/Night(ICR), AWB, AGC, BLC, 3D-DNR,
- 8mm fixed lens (3.6 mm, 6mm, 12mm, 16mm optional)
- Max. IR LEDs length 50m, Smart IR
- IP66, DC12V
- Default with bracket (HFW2100D-B)

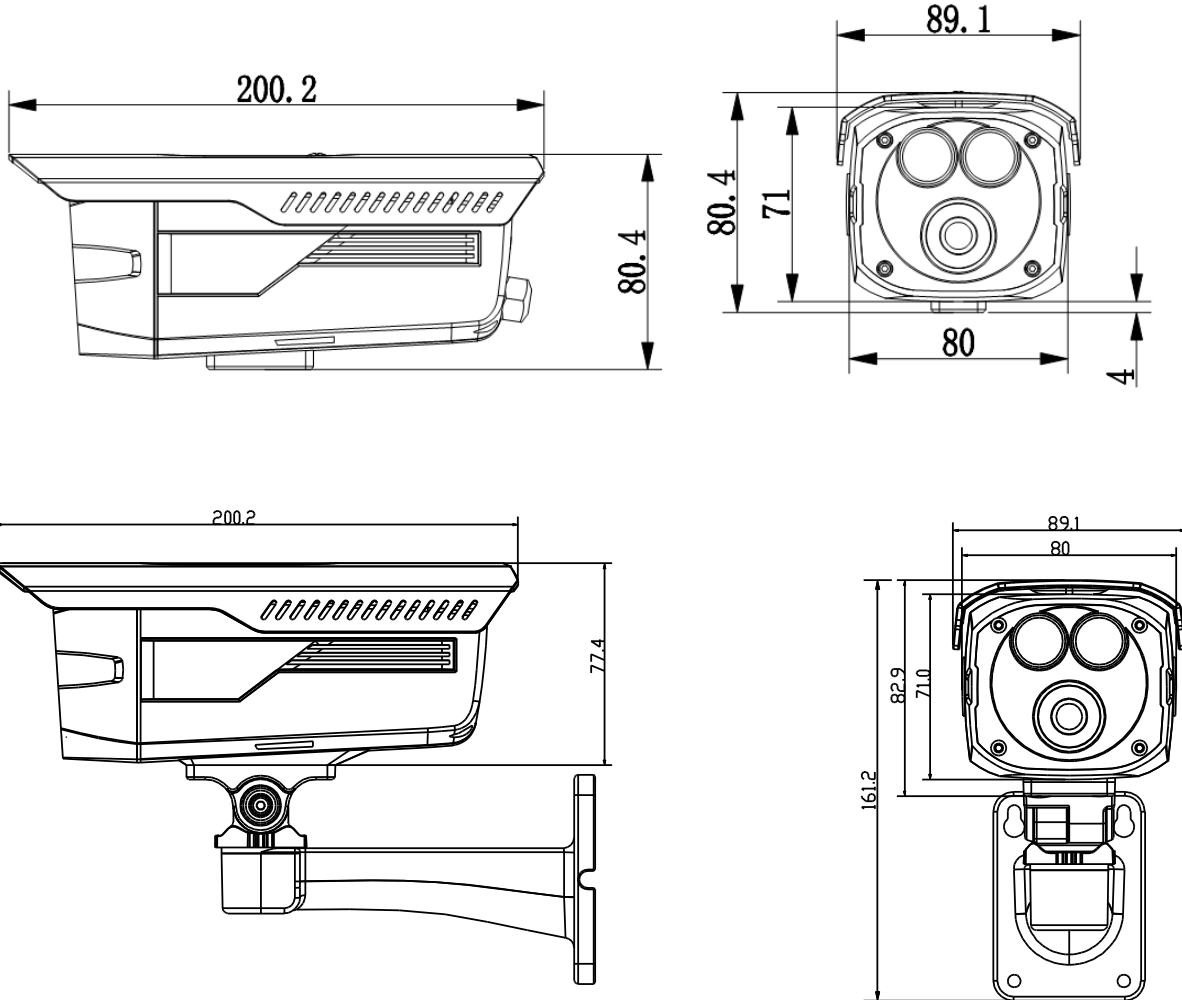
DH-HAC-HFW2100D(-B)

Technical Specifications

Model	DH-HAC-HFW2 100DP	DH-HAC-HFW2 100DN	DH-HAC-HFW2 100DP-B	DH-HAC-HFW2 100DN-B
Camera				
Image Sensor	1/3" 1.3Megapixel CMOS			
Effective Pixels	1280(H)×960(V)			
Electronic Shutter	4/25s~1/45,000s		4/30~1/54,000s	
Video Frame Rate	25/30/50/60fps@720P			
Synchronization	Internal			
Min. Illumination	0.01Lux@F1.2 (AGC ON), 0Lux IR LED on			
Video Output	1-channel BNC HDCVI high definition video output/ CVBS standard definition video output (Can switch)			
Camera Features				
Max. IR LEDs Length	50m, Smart IR			
Day/Night	Auto(ICR) / Color / B/W			
Noise Reduction	2D/3D			
OSD Menu	Support			
Lens				
Focal length	8mm fixed lens (3.6mm, 6mm,12mm,16mm optional)			
Mount Type	M12			
General				
Power Supply	DC12V±10%			
Power Consumption	Max 7.7W			
Working Environment	-30°C~+60°C/ Less than 95%RH (no condensation)			
Transmission Distance	Over 500m via 75-3 coaxial cable			
Ingress Protection	IP66			
Dimensions(W×D×H)	200.2mm×89.1mm×80.4mm		200.2mm×89.1mm×161.2mm	
Weight	0.45kg		0.58Kg	
Others	N/A		Default: bracket included	



DH-HAC-HFW2100D(-B)

Dimensions (mm)



DH-HAC-HFW2100D(-B)

Accessories (optional)

	
PFB120W	PFB121W

Dahua Technology Co., Ltd.

1199 BinAn Road, Binjiang District, Hangzhou, China

Tel: +86-571-87688883

Fax: +86-571-87688815

Email: overseas@dahuatech.com

www.dahuatech.com