

## DH-HAC-HFW1220RM

---

2Megapixel 1080P Water-proof HDCVI IR Bullet Camera



### Features

- 1/2.9" 2Megapixel CMOS
- 25/30fps@1080P, 25/30/50/60fps@720P
- High speed, long distance real-time transmission
- HD and SD switchable
- OSD Menu, control over coaxial cable
- DWDR, Day/Night(ICR), AWB, AGC, BLC, 2DNR
- 3.6mm fixed lens (2.8mm, 6mm optional)
- Max. IR LEDs length 20m, Smart IR
- IP67, DC12V

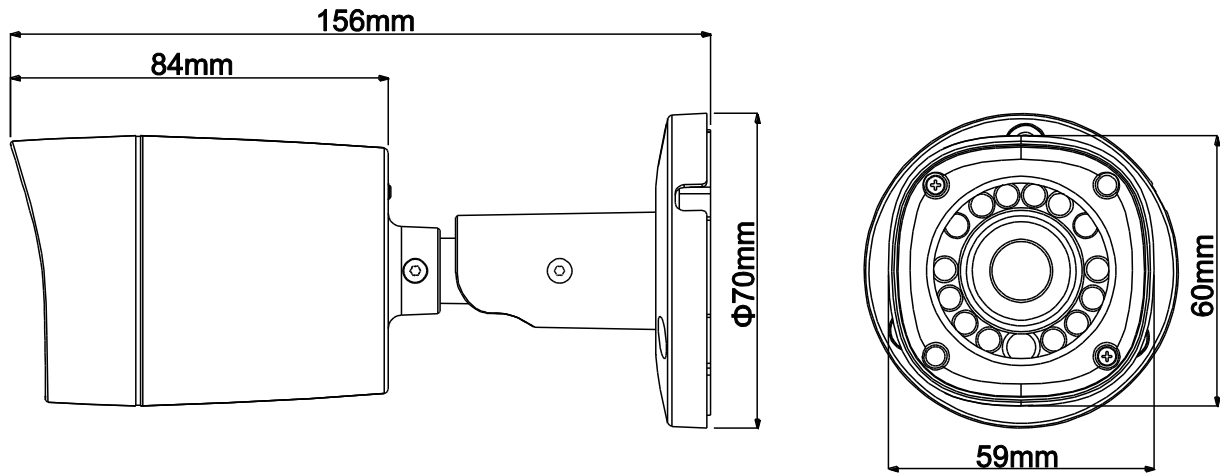
# DH-HAC-HFW1220RM

## Technical Specifications

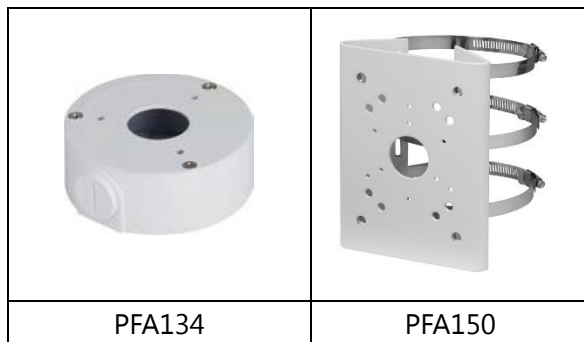
| Model                  | DH-HAC-HFW1220RMP  | DH-HAC-HFW1220RMN          |
|------------------------|--|----------------------------|
| <b>Camera</b>          |  |                            |
| Image Sensor           | 1/2.9" 2Megapixel CMOS   |                            |
| Effective Pixels       | 1936(H)×1097(V)  |                            |
| Electronic Shutter     | 1/25~1/100000s   | 1/30~1/100000s             |
| Video Frame Rate       | 25/50fps@720P; 25fps@1080P   | 30/60fps@720P; 30fps@1080P |
| Synchronization        | Internal   |                            |
| Mini. Illumination     | 0.02Lux/F2.0, 0Lux IR on   |                            |
| Video Output           | 1-channel BNC high definition video output/ CVBS standard definition video output (Can switch) |                            |
| <b>Camera Features</b> |  |                            |
| Max. IR LEDs Length    | 20m, Smart IR  |                            |
| Backlight Compensation | DWDR   |                            |
| Day/Night              | Auto(ICR) / Color / B/W  |                            |
| Noise Reduction        | 2D   |                            |
| OSD Menu               | Support  |                            |
| <b>Lens</b>            |  |                            |
| Focal length           | 3.6mm (2.8mm, 6mm optional)  |                            |
| Angle of View          | H: 82.8° (106° /51.2°)   |                            |
| Mount Type             | M12  |                            |
| <b>General</b>         |  |                            |
| Power Supply           | DC12V±25%  |                            |
| Power Consumption      | Max 2.8W   |                            |
| Working Environment    | -40°C~+60°C / Less than 95%RH (no condensation)  |                            |
| Transmission Distance  | Over 500m via 75-3 coaxial cable   |                            |
| Ingress Protection     | IP67   |                            |
| Dimensions(W×D×H)      | Φ70mm×156mm  |                            |
| Weight                 | 0.3kg  |                            |
| Material               | Metal  |                            |

# DH-HAC-HFW1220RM

## Dimensions (mm)



## Accessories (optional)



---

### Dahua Technology Co., Ltd.

1199 BinAn Road, Binjiang District, Hangzhou, China

Tel: +86-571-87688883

Fax: +86-571-87688815

Email: [overseas@dahuatech.com](mailto:overseas@dahuatech.com)

[www.dahuatech.com](http://www.dahuatech.com)

\*Design and specifications are subject to change without notice.

© 2014 Dahua Technology Co., Ltd.