

## DH-HAC-HFW1100RM

---

1Megapixel 720P Water-proof HDCVI IR-Bullet Camera



### Features

- 1/2.9" 1Megapixel CMOS
- 25/30fps@720P
- High speed, long distance real-time transmission
- Day/Night(ICR), AWB, AGC, BLC, 2DNR
- 3.6mm fixed lens (6mm optional)
- Max. IR LEDs length 20m, Smart IR
- IP67, DC12V

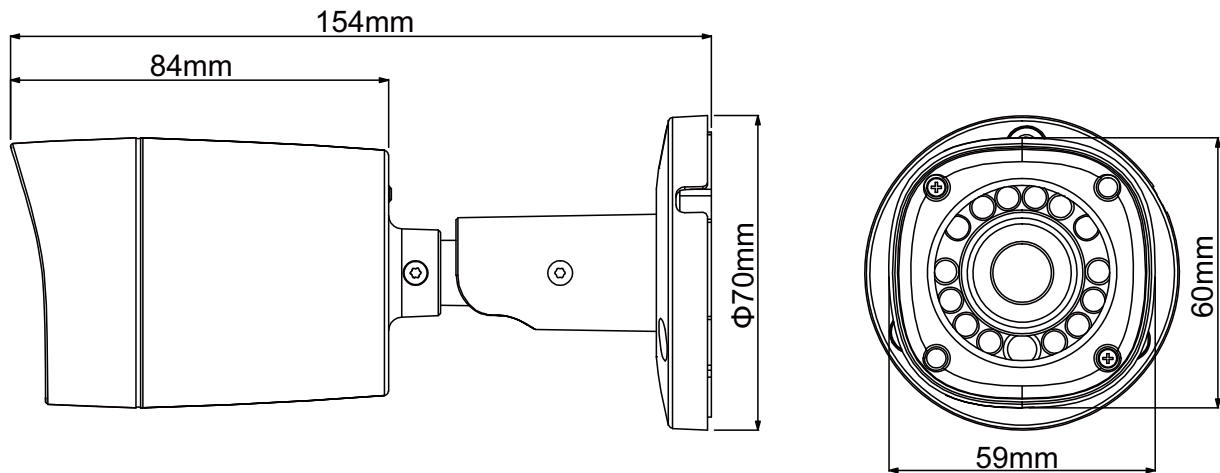
# DH-HAC-HFW1100RM

## Technical Specifications




| Model                  | DH-HAC-HFW1100RMP                                | DH-HAC-HFW1100RMN |
|------------------------|--|-------------------|
| <b>Camera</b>          |  |                   |
| Image Sensor           | 1/2.9" 1Megapixel CMOS                           |                   |
| Effective Pixels       | 1280(H)×720(V)                                   |                   |
| Electronic Shutter     | 1/50s~1/100,000s                                 | 1/60s~1/100,000s  |
| Video Frame Rate       | 25fps@720P                                       | 30fps@720P        |
| Synchronization        | Internal   |                   |
| Mini. Illumination     | 0.05Lux/F1.6, 0Lux IR on                         |                   |
| Video Output           | 1-channel BNC HDCVI high definition video output |                   |
| <b>Camera Features</b> |  |                   |
| Max. IR LEDs Length    | 20m, Smart IR                                    |                   |
| Day/Night              | Auto(ICR) / Color / B/W                          |                   |
| Noise Reduction        | 2D   |                   |
| <b>Lens</b>            |  |                   |
| Focal Length           | 3.6mm fixed lens (6mm optional)                  |                   |
| Angle of View          | H: 88° (52°)                                     |                   |
| Mount Type             | M12  |                   |
| <b>General</b>         |  |                   |
| Power Supply           | DC12V±25%  |                   |
| Power Consumption      | Max 3.5W   |                   |
| Working Environment    | -30°C~+60°C / Less than 95%RH (no condensation)  |                   |
| Transmission Distance  | Over 800m via 75-3 coaxial cable                 |                   |
| Ingress Protection     | IP67   |                   |
| Dimensions(W×D×H)      | Φ70mm×154mm                                      |                   |
| Weight                 | 0.3kg  |                   |
| Material               | Metal  |                   |

# DH-HAC-HFW1100RM

## Dimensions (mm)



## Accessories (optional)

|  |  |   |
|--|--|---|
|  |  |  |
| PFA130   | PFA122   | PFA152  |

### Dahua Technology Co., Ltd.

1199 BinAn Road, Binjiang District, Hangzhou, China

Tel: +86-571-87688883

Fax: +86-571-87688815

Email: [overseas@dahuatech.com](mailto:overseas@dahuatech.com)

[www.dahuatech.com](http://www.dahuatech.com)

\*Design and specifications are subject to change without notice.

© 2014 Dahua Technology Co., Ltd.