

DH-HAC-HF3232

2Megapixel 1080P Starlight HDCVI Box Camera



Features

- 1/1.9" 2.4Megapixel CMOS
- 25/30fps@1080P, 25/30/50/60fps@720P
- High speed, long distance real-time transmission
- HD and SD switchable
- OSD Menu, control over coaxial cable
- 140dB Ultra WDR, Day/Night(ICR), AWB, AGC, BLC, 3DNR
- Audio, Alarm
- AC24V/DC12V

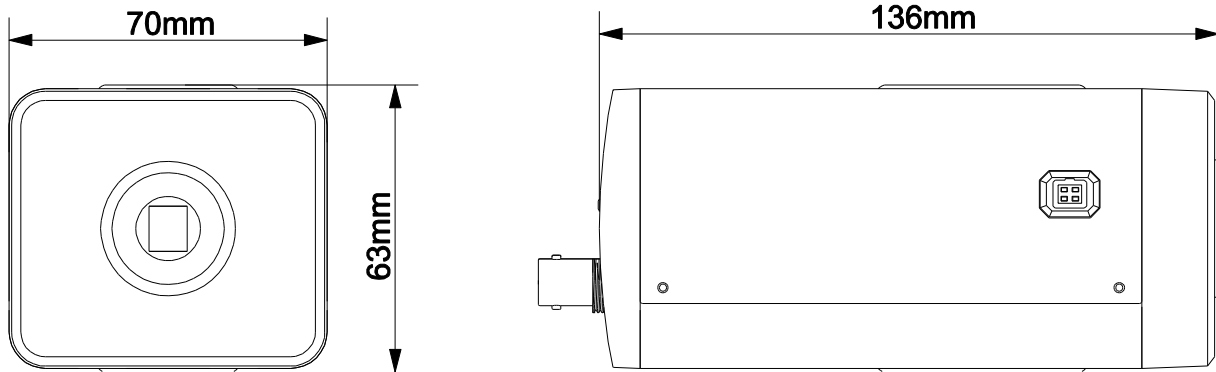
DH-HAC-HF3232

Technical Specifications

Model	DH-HAC-HF3232P	DH-HAC-HF3232N
Camera		
Image Sensor	1/1.9" 2.4Megapixel CMOS	
Effective Pixels	1945(H)×1225(V)	
Electronic Shutter	1s~1/10,000s	1s~1/10,000s
Video Frame Rate	25/50fps@720P; 25fps@1080P	30/60fps@720P; 30fps@1080P
Synchronization	Internal	
Mini. Illumination	0.002Lux/F1.4 (Color); 0.0002Lux/F1.4 (B/W)	
Video Output	1-channel BNC HDCVI high definition video output/ CVBS standard definition video output (Can switch)	
Camera Features		
Day/Night	Auto(ICR) / Color / B/W	
Backlight Compensation	140dB Ultra WDR	
Noise Reduction	2D/3D	
OSD Menu	Support	
Lens		
Lens Type	Manual/Auto Iris	
Mount Type	C/CS	
Auxiliary Interface		
RS485	1	
Alarm	1 channel in/ 1 channel out	
Audio	1 channel in	
General		
Power Supply	AC24V±10% / DC12V±10%	
Power Consumption	Max 8.7W	
Working Environment	-30°C~+60°C / Less than 95%RH (no condensation)	
Transmission Distance	Over 500m via 75-3 coaxial cable	
Dimensions(W×D×H)	136mm×70mm×63mm	
Weight	0.67kg	
Material	Metal	

DH-HAC-HF3232

Dimensions (mm)



Accessories (optional)

				
PFB110W	PFB121W	PLZ20C0-D	PLZ21C0-D	PFH610N/V

Dahua Technology Co., Ltd.

1199 BinAn Road, Binjiang District, Hangzhou, China

Tel: +86-571-87688883

Fax: +86-571-87688815

Email: overseas@dahuatech.com

www.dahuatech.com

*Design and specifications are subject to change without notice.

© 2014 Dahua Technology Co., Ltd.