

DH-HAC-HDW2220M

2.4Megapixel 1080P Water-proof IR HDCVI Mini Dome Camera



Features

- 1/2.8" 2.4Megapixel CMOS
- 25/30fps@1080P, 25/30/50/60fps@720P
- High speed, long distance real-time transmission
- HD and standard definition switchable
- OSD Menu, control over coaxial cable
- Day/Night(ICR), AWB, AGC, BLC, 3D-DNR
- 3.6mm fixed lens (6mm, 8mm optional)
- Max. IR LEDs length 20m, Smart IR
- IP66, DC12V

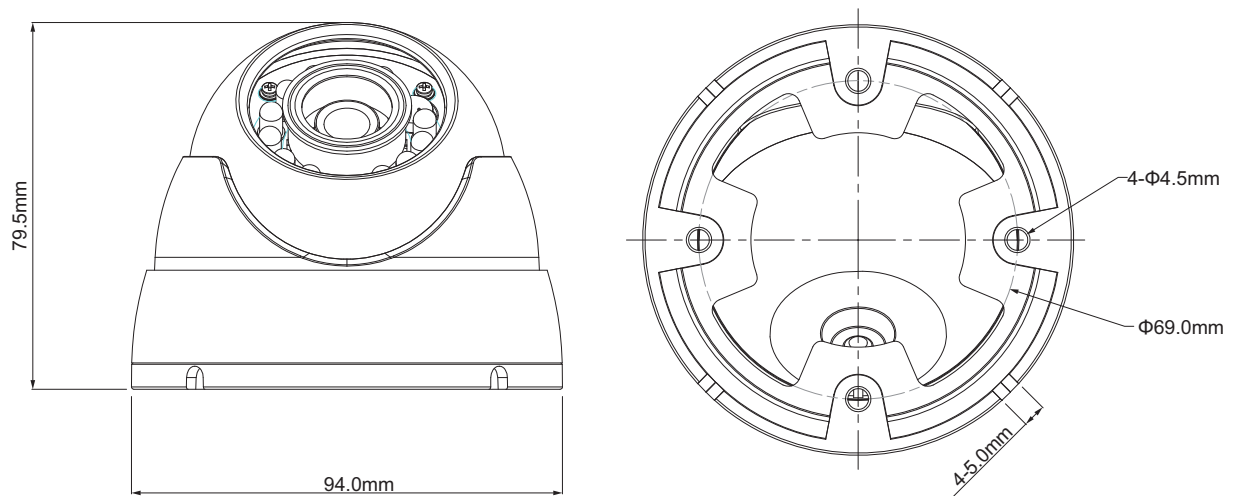
DH-HAC-HDW2220M

Technical Specifications

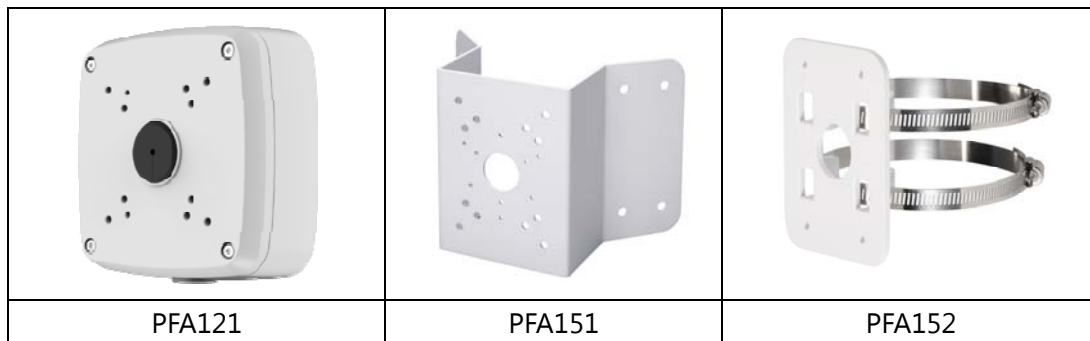
| Model | DH-HAC-HDW2220MP | DH-HAC-HDW2220MN |
|------------------------|--|------------------|
| Camera | | |
| Image Sensor | 1/2.8" 2.4Megapixel CMOS | |
| Effective Pixels | 1984(H)×1225(V) | |
| Electronic Shutter | 1/3s~1/100,000s | |
| Video Frame Rate | 25/30/50/60fps@720P; 25/30fps@1080P | |
| Synchronization | Internal | |
| Min. Illumination | 0.05Lux@F1.2(AGC ON), 0Lux IR on | |
| Video Output | 1-channel BNC HDCVI high definition video output/ CVBS standard definition video output (Can switch) | |
| Camera Features | | |
| Max. IR LEDs Length | 20m, Smart IR | |
| Day/Night | Auto(ICR) / Color / B/W | |
| Noise Reduction | 2D/3D | |
| OSD Menu | Support | |
| Lens | | |
| Focal Length | 3.6mm (6mm, 8mm optional) | |
| Angle of View | H: 88° (53.4° /39°) | |
| Mount Type | M12 | |
| General | | |
| Power Supply | DC12V±10% | |
| Power Consumption | Max 3.5W | |
| Working Environment | -30°C~+60°C / Less than 95%RH (no condensation) | |
| Transmission Distance | Over 300m via 75-3 coaxial cable | |
| Ingress Protection | IP66 | |
| Dimensions | Φ94.0mm×79.5mm | |
| Weight | 0.35kg | |

DH-HAC-HDW2220M

Dimensions (mm)



Accessories (optional)



Dahua Technology Co., Ltd.

1187 BinAn Road, Binjiang District, Hangzhou, China

Tel: +86-571-87688883

Fax: +86-571-87688815

Email: overseas@dahuatech.com

www.dahuasecurity.com

*Design and specifications are subject to change without notice.

© 2014 Dahua Technology