

## DH-HAC-HDBW2220F-M

---

### 2.4Megapixel 1080P HDCVI Mobile Camera



#### Features

- 1/2.8" 2.4Megapixel CMOS
- 25/30@1080P, 25/30/50/60fps@720P
- High speed, long distance real-time transmission
- OSD Menu, control over coaxial cable
- Day/Night(ICR), AWB, AGC, BLC, 3D-DNR
- 3.6mm fixed lens (2.8mm, 6mm optional)
- Max. IR LEDs length 20m, Smart IR
- Aviation connector, Shock-proof, Build-in MIC
- IP67, IK10, DC12V

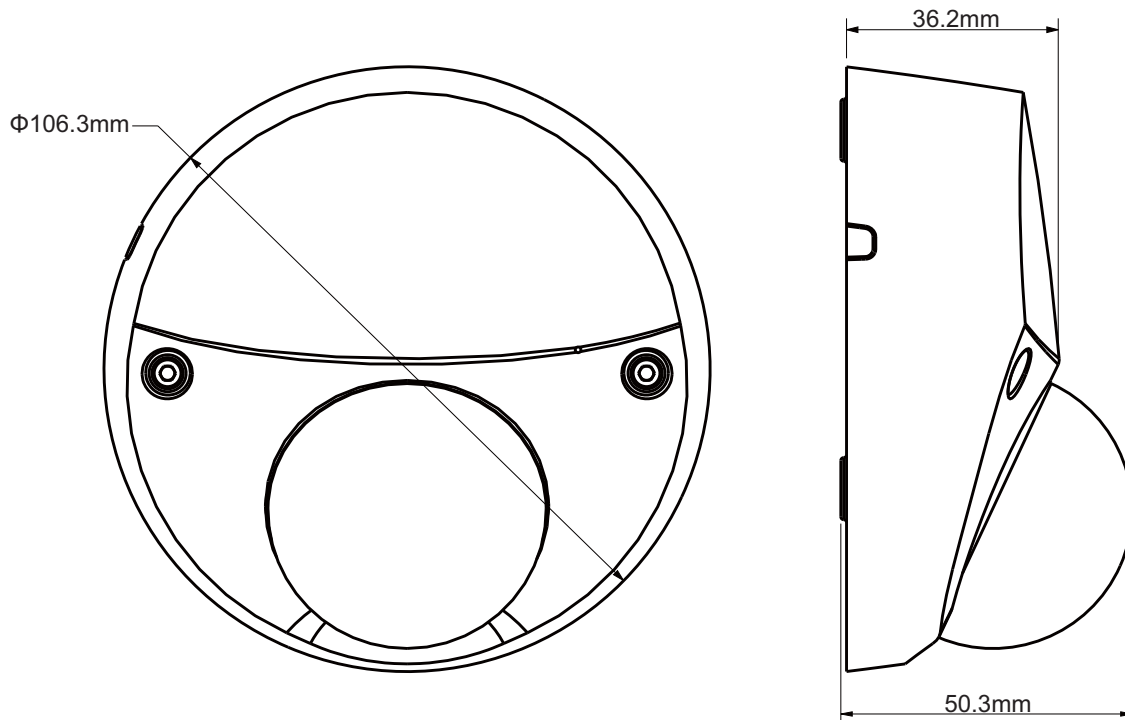
# DH-HAC-HDBW2220F-M

## Technical Specifications

Model	DH-HAC-HDBW2220FP-M	DH-HAC-HDBW2220FN-M
<b>Camera</b>		
Image Sensor	1/2.8" 2.4Megapixel CMOS	
Effective Pixels	1984(H)×1225(V)	
Electronic Shutter	1/3s~1/100,000s	
Video Frame Rate	25/30/50/60fps@720P; 25/30fps@1080P	
Synchronization	Internal	
Mini. Illumination	0.05Lux@F1.2(AGC ON), 0Lux IR on	
Video Output	1-channel BNC HDCVI high definition video output Tester out (1-channel BNC HDCVI high definition video output)	
<b>Camera Features</b>		
Max. IR LEDs Length	20m, Smart IR	
Day/Night	Auto(ICR) / Color / B/W	
Noise Reduction	2D/3D	
OSD Menu	Support	
<b>Lens</b>		
Focal Length	3.6mm (2.8mm, 6mm optional)	
Angle of View	H: 88° (106°/55°)	
Mount Type	M12	
<b>General</b>		
Power Supply	DC12V±20%	
Power Consumption	Max 3.3W	
Working Environment	-30°C~+60°C / Less than 95%RH (no condensation)	
Transmission Distance	Over 800m via 75-3 coaxial cable	
Ingress Protection	IP67 & IK10	
Dimensions(W×D×H)	Φ106.3mm×50.3m	
Weight	0.3kg	
Material	Metal	
Others	Build-in MIC	

# DH-HAC-HDBW2220F-M

## Dimensions (mm)



## Accessories (optional)

		
PFB204W	PFA139	PFA152

### Dahua Technology Co., Ltd.

1187 BinAn Road, Binjiang District, Hangzhou, China

Tel: +86-571-87688883

Fax: +86-571-87688815

Email: [overseas@dahuatech.com](mailto:overseas@dahuatech.com)

[www.dahuatech.com](http://www.dahuatech.com)

\*Design and specifications are subject to change without notice.

© 2013 Dahua Technology Co., Ltd.