

DH-CA-M181E/MW181E

720TVL HDIS Mobile Dome Camera



Features

- 1/3" HDIS
- High resolution of 720TVL
- Day/Night(ICR), AWB, AGC, BLC
- 3.6mm fixed lens (2.8mm optional)
- Max. IR LEDs length 10m (MW181E)
- Aviation connector, shock-proof
- DC12V

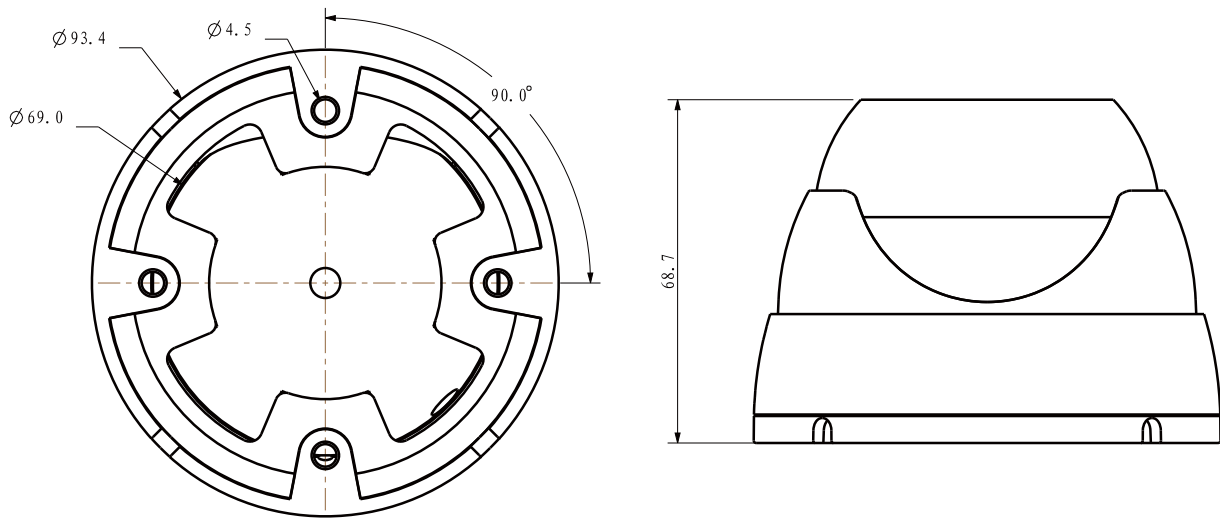
DH-CA-M181E/MW181E

Technical Specifications

Model	DH-CA-M181EP	DH-CA-MW181EP	DH-CA-M181EN	DH-CA-MW181EN
Camera				
Image Sensor	1/3" HDIS			
Effective Pixels	960(H)×480(V)			
Horizontal Resolution	720TVL			
Electronic Shutter	1/50s~1/10,000s		1/60s~1/10,000s	
Synchronization	Internal			
Min. Illumination	0.02Lux@F1.2(AGC ON), 0Lux IR on	0.01Lux@F1.2(AGC ON), 0Lux IR on	0.02Lux@F1.2(AGC ON), 0Lux IR on	0.01Lux@F1.2(AGC ON), 0Lux IR on
S/N Ratio	>65dB(AGC Off)			
Video Output	1Vp-p Composite Output (75Ω/Aviation connector)			
Camera Features				
Max. IR LEDs Length	N/A	10m	N/A	10m
Day/Night	Auto(ICR) / Color / B/W			
Backlight Compensation	BLC			
White Balance	Auto			
Gain Control	Auto			
Lens				
Focal length	3.6mm (2.8mm optional)			
Angle of View	H: 70° (89°)			
Mount Type	M12			
General				
Power Supply	DC12V±10%			
Power Consumption	Max 0.94W	Max 1.92W	Max 0.94W	Max 1.92W
Working Environment	-40°C~+60°C / Less than 90%RH			
Dimensions	φ94.0mm×74.9mm			
Weight	0.33kg			
Others	Default: with Pickup			

DH-CA-M181E/MW181E

Dimensions (mm)



Dahua Technology Co., Ltd.

1199 BinAn Road, Binjiang District, Hangzhou, China

Tel: +86-571-87688883

Fax: +86-571-87688815

Email: overseas@dahuatech.com

www.dahuatech.com