

DH-CA-M180G-B-170

720TVL HDIS Mobile Camera



Features

- 1/3" HDIS
- High resolution of 720TVL
- AWB, AGC, BLC
- 2.1mm fixed lens
- Aviation connector, shock-proof
- IP67, DC12V

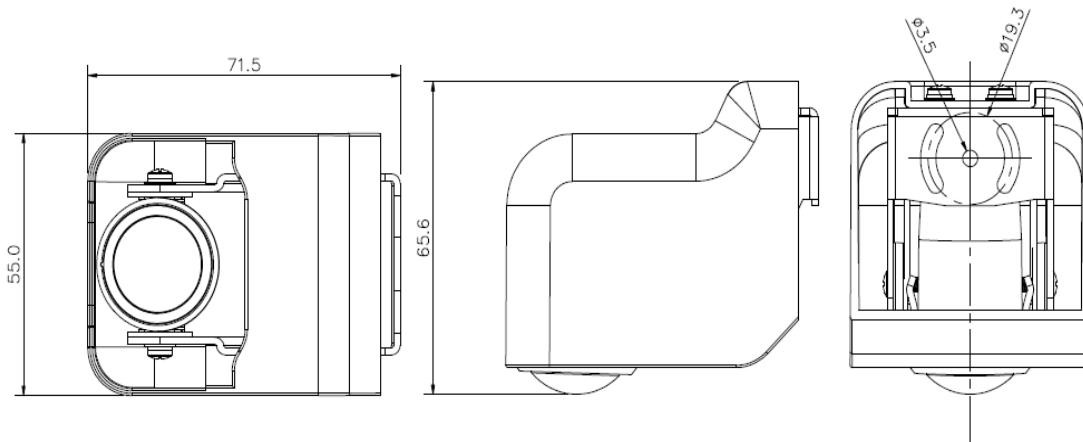
DH-CA-M180G-B-170

Technical Specifications

Model	DH-CA-M180GP-B-170	DH-CA-M180GN-B-170
Camera		
Image Sensor	1/3" HDIS	
Effective Pixels	976(H)×496(V)	
Horizontal Resolution	720TVL	
Electronic Shutter	1/50s~1/10,000s	1/60s~1/10,000s
Synchronization	Internal	
Min. Illumination	0.05Lux@F1.2(AGC ON)	
S/N Ratio	>65dB(AGC Off)	
Video Output	1Vp-p Composite Output (75Ω/Aviation connector)	
Camera Features		
Day/Night	Color	
Backlight Compensation	Auto	
White Balance	Auto	
Gain Control	Auto	
Lens		
Focal length	2.1mm fixed lens	
Angle of View	H: 136°	
Mount Type	M12	
General		
Power Supply	DC12V±10%	
Power Consumption	Max 1W	
Working Environment	-40°C~+60°C / Less than 90%RH	
Dimensions	55mm×71.5mm×65.6mm	
Weight	0.1kg	

DH-CA-M180G-B-170

Dimensions (mm)



Dahua Technology Co., Ltd.

1199 BinAn Road, Binjiang District, Hangzhou, China

Tel: +86-571-87688883

Fax: +86-571-87688815

Email: overseas@dahuatech.com

www.dahuatech.com