

## DH-CA-F480F

700TVL Cost-effective Camera



### Features

- 1/3" SONY Super HAD CCD II & Effio DSP
- High resolution of 700TVL
- DWDR, Day/Night, 2DNR, Auto iris, AWB, AGC,BLC, MD, Privacy Masking, Picture Adjustment
- OSD, DC12V

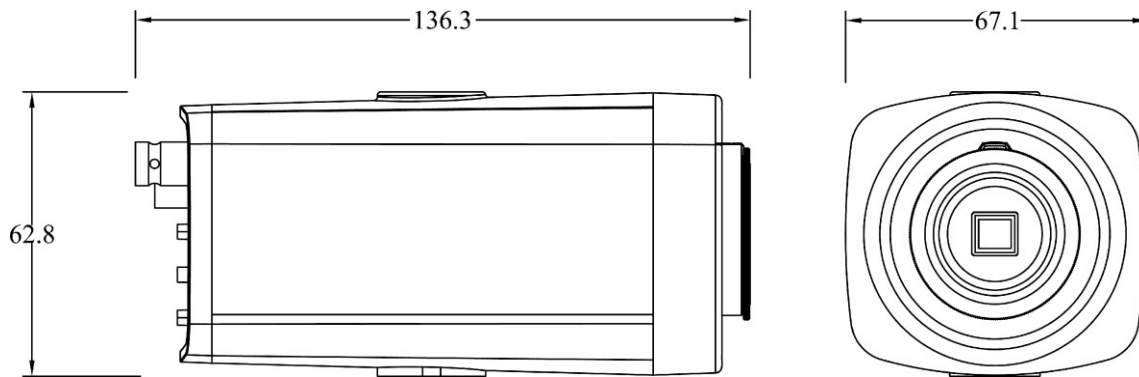
# DH-CA-F480F

## Technical Specifications

| Model                  | DH-CA-F480FP   | DH-CA-F480FN                 |
|------------------------|--|------------------------------|
| <b>Camera</b>          |  |                              |
| Image Sensor           | 1/3" Super HAD CCD II  |                              |
| Effective Pixels       | 976(H) x 582(V), 570K pixels   | 976(H) x 494(V), 480K pixels |
| Horizontal Resolution  | 700TVL   |                              |
| Electronic Shutter     | 1/50s~1/100,000s   | 1/60s~1/100,000s             |
| Synchronization        | Internal   |                              |
| Mini. Illumination     | 0.01Lux@F1.2   |                              |
| S/N Ratio              | More than 60dB   |                              |
| Video Output           | 1Vp-p Composite Output (75Ω/BNC)   |                              |
| <b>Camera Features</b> |  |                              |
| OSD                    | English, Chinese, French, German, Russian, Spanish, Portuguese, Japanese |                              |
| Day/Night              | Auto(Electronic) / Color / B/W   |                              |
| Backlight Compensation | BLC / HLC / DWDR   |                              |
| White Balance          | Auto Trace WB1 / Auto Trace WB2 / Manual / Auto                          |                              |
| Gain Control           | Auto / Manual  |                              |
| Noise Reduction        | 2D   |                              |
| Privacy Masking        | Up to 4 areas  |                              |
| Picture Adjustment     | Mirror / Brightness / Contrast / Sharpness / Hue / Gain                  |                              |
| <b>Lens</b>            |  |                              |
| Lens Type              | Manual / Auto iris   |                              |
| Mount Type             | C / CS   |                              |
| <b>General</b>         |  |                              |
| Power Supply           | DC12V±10%  |                              |
| Power Consumption      | Max 2W   |                              |
| Working Environment    | -30°C~+60°C / 20%~80%RH  |                              |
| Dimensions(W×D×H)      | 67.1mm × 136.3mm × 62.8mm  |                              |
| Weight                 | 200g   |                              |

## DH-CA-F480F

### Dimensions (mm)



### Accessories (optional)



---

### Dahua Technology Co., Ltd.

1187 BinAn Road, Binjiang District, Hangzhou, China

Tel: +86-571-87688883

Fax: +86-571-87688815

Email: [overseas@dahuatech.com](mailto:overseas@dahuatech.com)

[www.dahuatech.com](http://www.dahuatech.com)

\*Design and specifications are subject to change without notice.

© 2013 Dahua Technology Co., Ltd.