

DH-CA-DW481B

700TVL IR Zoom Dome Camera



Features

- > 1/3" SONY EXview HAD CCD II & Effio-E DSP
- > High resolution of 700TVL(Color), 750TVL(B/W)
- > DWDR, D&N(ICR), 2DNR, Auto iris, AWB, AGC,BLC, MD, DZOOM, Privacy Masking, Picture Adjustment
- > 2.8~12mm varifocal lens
- > Max. IR LEDs length 20m, Smart IR
- > OSD, DC12V(-A model: DC12V/AC24V dual power supply)

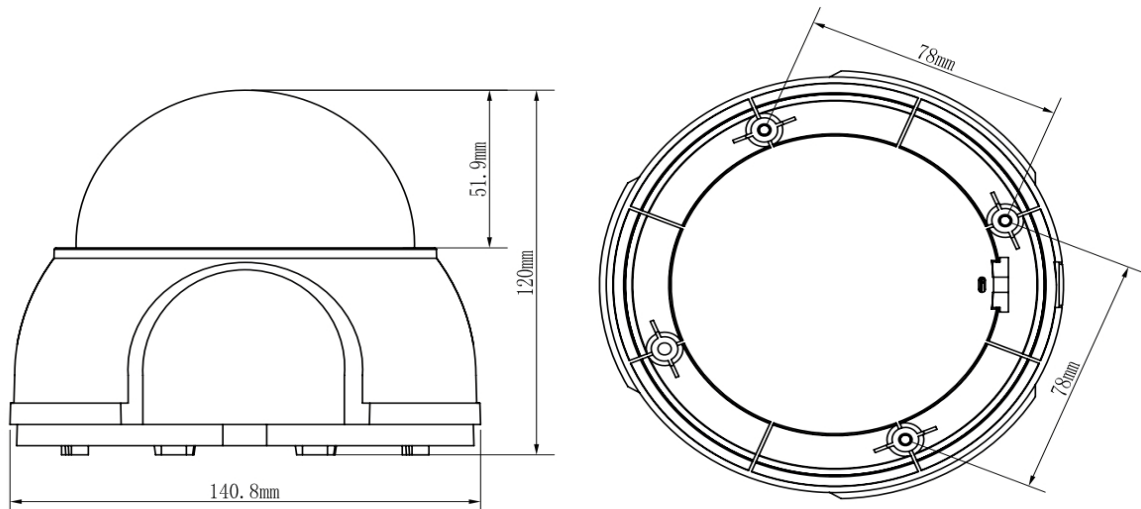
DH-CA-DW481B

Technical Specifications

Model	DH-CA-DW481BP(-A)	DH-CA-DW481BN(-A)
Camera		
Image Sensor	1/3" SONY EXview HAD CCD II	
Effective Pixels	976(H) x 582(V), 570K pixels	976(H) x 494(V), 480K pixels
Horizontal Resolution	Color: 700TVL, B/W: 750TVL	
Electronic Shutter	1/50s~1/100,000s, 10s~1/100,000s@Slow shutter, 512x	1/60s~1/100,000s, 8s~1/100,000s@Slow shutter, 512x
Synchronization	Internal	
Min. Illumination	0.05Lux@F1.4 (0Lux IR LED On)	
S/N Ratio	>60dB	
Video Output	1Vp-p Composite Output (75Ω/BNC)	
Camera Features		
Max. IR LEDs Length	20m, Smart IR	
OSD	English, Chinese, French, German, Russian, Spanish, Portuguese, Japanese	
Day/Night	Auto(ICR) / Color / B/W	
Backlight Compensation	BLC / HLC / DWDR	
White Balance	Auto Trace WB1 / Auto Trace WB2 / Manual / Auto	
Gain Control	Auto / Manual	
Noise Reduction	Off / 2D	
Privacy Masking	Up to 4 areas	
Picture Adjustment	Mirror / Brightness / Contrast / Sharpness / Hue / Gain	
Lens		
Focal Length	2.8~12mm	
Focus Type	Manual	
Lens Type	Manual / Auto iris	
Mount Type	Φ14	
General		
Power Supply	DC12V±10%(-A model: DC12V/AC24V dual power supply)	
Power Consumption	Max 4W	
Working Environment	-30°C~+60°C / 20%~80%RH	
Dimensions	Φ140.8mm x 120mm	
Weight	400g (-A: 420g)	

DH-CA-DW481B

Dimensions (mm)



Dahua Technology Co., Ltd.

1187 BinAn Road, Binjiang District, Hangzhou, China

Tel: +86-571-87688883

Fax: +86-571-87688815

Email: overseas@dahuatech.com

www.dahuatech.com

*Design and specifications are subject to change without notice.

© 2012 Dahua Technology Co., Ltd.