

DH-CA-DW480C

700TVL Waterproof IR Dome Camera



Features

- 1/3" SONY Super HAD CCD II & Effio-E DSP
- High resolution of 700TVL
- DWDR, Day/Night, AGC, ATW, BLC
- 3.6mm fixed lens (2.8mm, 6mm, 8mm, 12mm, 16mm optional)
- Max. IR LEDs length 50m
- IP66, DC12V

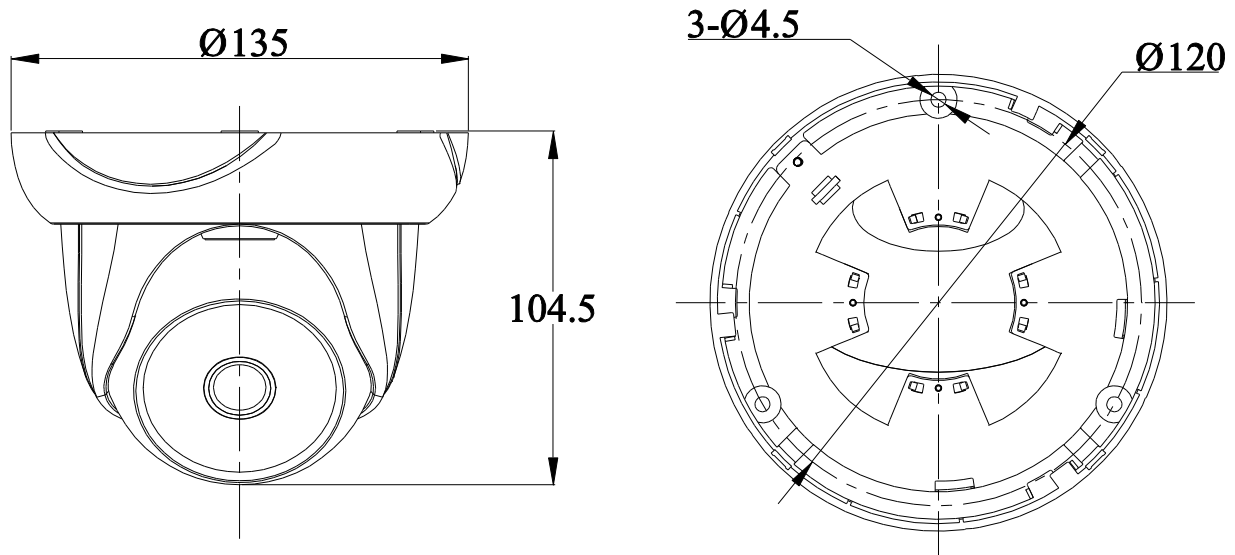
DH-CA-DW480C

Technical Specifications

Model	DH-CA-DW480C
Camera	
Image Sensor	1/3" Super HAD CCD II
Effective Pixels	PAL: 976(H) x 582(V), 570K pixels NTSC: 976(H) x 494(V), 480K pixels
Horizontal Resolution	700TVL
Electronic Shutter	1/50s(60s)~1/100,000s
Synchronization	Internal
Min. Illumination	0.02Lux@F1.2 (0Lux IR LED On)
S/N Ratio	More than 60dB
Video Output	1Vp-p Composite Output (75Ω/BNC)
Camera Features	
Max. IR LEDs Length	50m
Day/Night	Auto(Electronic) / Color / B/W
Backlight Compensation	BLC / DWDR
White Balance	Auto
Gain Control	Auto
Lens	
Focal length	3.6mm (2.8mm, 6mm, 8mm, 12mm, 16mm optional)
Mount Type	M12
General	
Power Supply	DC12V±10%
Power Consumption	Max 7W
Working Environment	-30°C~+60°C / 20%~80%RH
Ingress Protection	IP66
Dimensions	Φ135mm × 104.5mm
Weight	600g

DH-CA-DW480C

Dimensions (mm)



Accessories (optional)



Dahua Technology Co., Ltd.

1187 BinAn Road, Binjiang District, Hangzhou, China

Tel: +86-571-87688883

Fax: +86-571-87688815

Email: overseas@dahuatech.com

www.dahuatech.com

*Design and specifications are subject to change without notice.

© 2013 Dahua Technology Co., Ltd.