

## DH-CA-DBW581-C

700TVL Day/Night WDR IP 66 Weather Proof Dome Camera



### Features

- > 1/3" SONY Super HAD CCD II
- > High resolution of 700TVL(Color)
- > WDR, Day/Night(ICR), DNR (2D&3D), Auto iris, AWB, AGC,BLC, MD, Eclipse, DIS, Privacy Masking, Picture Adjustment
- > 3.5~8mm varifocal lens
- > IR LEDs length 30m, Smart IR
- > OSD, IP66, DC12V

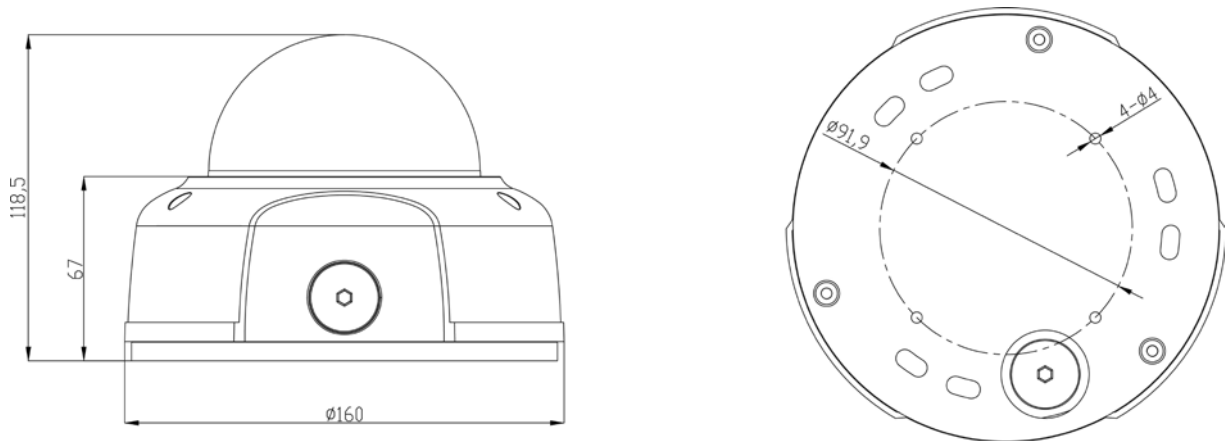
## DH-CA-DBW581-C

### Technical Specifications

Model		DH-CA-DBW581-CP	DH-CA-DBW581-CN
<b>Camera</b>			
Image Sensor		1/3" Super HAD CCD II	
Effective Pixels		PAL:752 (H) x 582 (V)	NTSC:768 (H) x 494 (V)
Horizontal Resolution		Color: 700TVL	
Electronic Shutter	Auto	1/50s~1/100,000s, 10s~1/100,000s@Slow shutter, 512x	1/60s~1/100,000, 8s~1/100,000s@Slow shutter, 512x
	Manual	1/50s,1/120s,1/250s,1/500s,1/1000s,1/2000s,1/4000s,1/10,000s	1/60s,1/100s,1/250s,1/500s,1/1000s,1/2000s,1/4000s,1/10,000s
Synchronization		Internal / External	
Min. Illumination		Color : 0.01 lux @F1.2	
S/N Ratio		>48dB	
Video Output		1Vp-p Composite Output (75Ω/BNC)	
<b>Camera Features</b>			
Max. IR Length		30m, Smart IR	
OSD		English, Chinese	
Day/Night		Auto (ICR) / Color / B/W	
Backlight Compensation		BLC / HLC / WDR (75dB)	
White Balance		ON/OFF Selectable	
Gain Control		Auto / Manual	
Noise Reduction		2D / 3D	
Privacy Masking		Up to 8 areas	
Picture Adjustment		Mirror / Brightness / Contrast / Sharpness / Hue / Gain / Slow Shutter	
<b>Lens</b>			
Focal Length		3.5~8mm	
Focus Control		Manual	
Lens Type		Manual / Auto iris	
Mount Type		Φ14	
<b>General</b>			
Power Supply		DC12V±10%	
Power Consumption		Max 4W	
Working Environment		-10°C~+50°C / 20%~90%RH	
Protection Level		IP66	
Dimensions		Φ100mm X 150mm	
Weight		980g	

## DH-CA-DBW581-C

### Dimensions (mm)



---

### Dahua Technology Co., Ltd.

1187 BinAn Road, Binjiang District, Hangzhou, China

Tel: +86-571-87688883

Fax: +86-571-87688815

Email: [overseas@dahuatech.com](mailto:overseas@dahuatech.com)

[www.dahuatech.com](http://www.dahuatech.com)

\*Design and specifications are subject to change without notice.

© 2012 Dahua Technology Co., Ltd.