

DH-CA-DBW480B

700TVL Vandal-proof IR Dome Camera



Features

- 1/3" SONY Super HAD CCD II & Effio-E DSP
- High resolution of 700TVL
- DWDR, Day/Night, 2DNR, Auto iris, AWB, AGC,BLC, MD, Privacy Masking, Picture Adjustment
- 4~9mm vari-focal lens (2.8~12mm optional)
- Max. IR LEDs length 20m, Smart IR
- OSD, DC12V(-A model: DC12V/AC24V dual power supply)

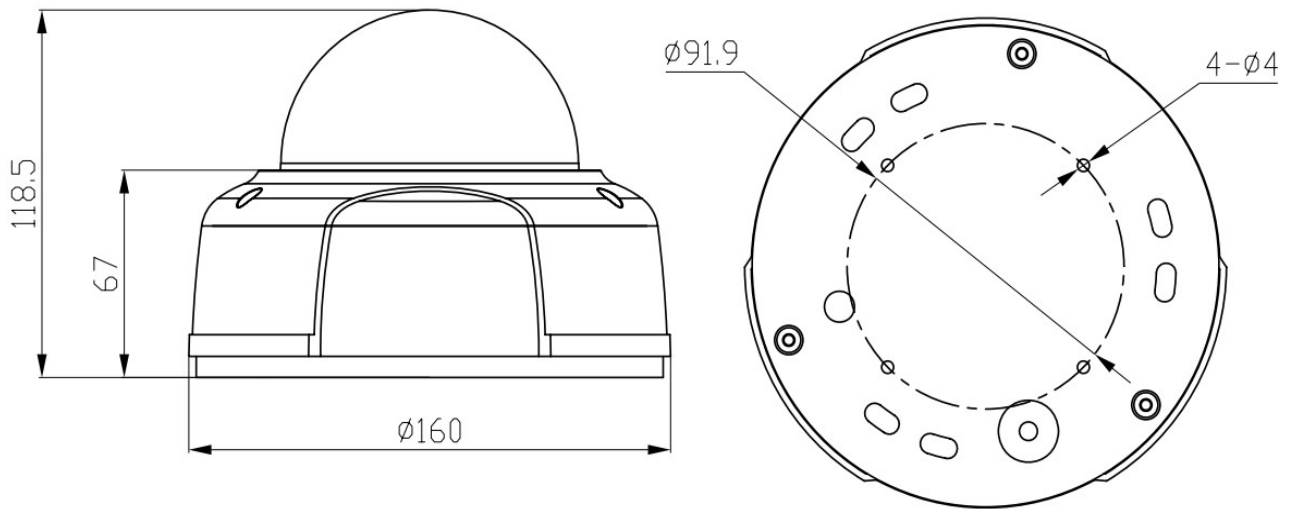
DH-CA-DBW480B

Technical Specifications

Model	DH-CA-DBW480BP(-A)	DH-CA-DBW480BN(-A)
Camera		
Image Sensor	1/3" SONY Super HAD CCD II	
Effective Pixels	976(H) x 582(V), 570K pixels	976(H) x 494(V), 480K pixels
Horizontal Resolution	700TVL	
Electronic Shutter	1/50s~1/100,000s	1/60s~1/100,000s
Synchronization	Internal	
Min. Illumination	0.005Lux@F1.4 (0Lux IR LED On)	
S/N Ratio	>65dB	
Video Output	1Vp-p Composite Output (75Ω/Aviator connector)	
Camera Features		
Max. IR LEDs Length	20m, Smart IR	
OSD	English, Chinese, French, German, Russian, Spanish, Portuguese, Japanese	
Day/Night	Auto(Electronic) / Color / B/W	
Backlight Compensation	BLC / HLC / DWDR	
White Balance	AWB/AWB LOCK/CUSTOM 1/CUSTOM 2/ANTI CR CNT/MANUAL/ATW	
Gain Control	Auto / Manual	
Noise Reduction	2D	
Privacy Masking	Up to 4 areas	
Picture Adjustment	Mirror / Brightness / Contrast / Sharpness / Hue / Gain	
Lens		
Focal Length	4~9mm (2.8~12mm optional)	
Focus Type	Manual	
Lens Type	Manual / Auto iris	
Mount Type	Φ14	
Auxiliary Interface		
RS485	1 port	
General		
Power Supply	DC12V±10% (-A model: DC12V/AC24V dual power supply)	
Power Consumption	Max 4W	
Working Environment	-30°C~+60°C / 20%~80%RH	
Ingress Protection	IP66	
Vandal Resistance	IK10	
Dimensions	Φ160mm × 118.5mm	
Weight	980g (-A: 1000g)	

DH-CA-DBW480B

Dimensions (mm)



Accessories (optional)



Dahua Technology Co., Ltd.

1187 BinAn Road, Binjiang District, Hangzhou, China

Tel: +86-571-87688883

Fax: +86-571-87688815

Email: overseas@dahuatech.com

www.dahuasecurity.com

*Design and specifications are subject to change without notice.

© 2013 Dahua Technology Co., Ltd.