

## DH-CA-D480B

---

### 700TVL Dome Camera



### Features

- 1/3" SONY Super HAD CCD II & Effio-E DSP
- High resolution of 700TVL(Color)
- DWDR, Day/Night, 2DNR, Auto iris, AWB, AGC,BLC, MD, Privacy Masking, Picture Adjustment
- 4~9mm varifocal lens (2.8~12mm optional)
- OSD, DC12V(-A model: DC12V/AC24V dual power supply)

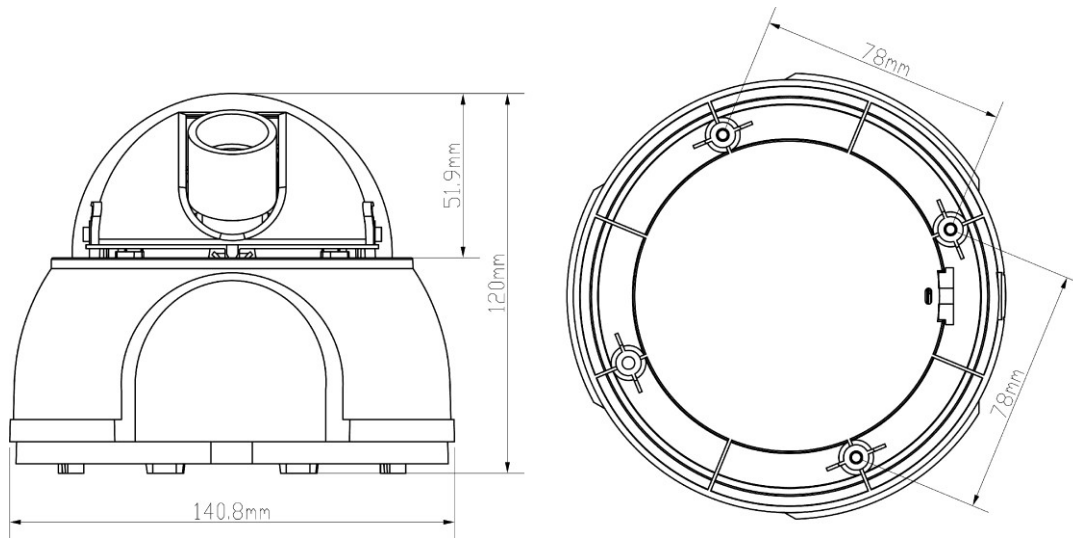
## DH-CA-D480B

### Technical Specifications

Model	DH-CA-D480BP	DH-CA-D480BN
<b>Camera</b>		
Image Sensor	1/3" Super HAD CCD II	
Effective Pixels	976(H) x 582(V), 570K pixels	976(H) x 494(V), 480K pixels
Horizontal Resolution	700TVL	
Electronic Shutter	1/50s~1/100,000s	1/60s~1/100,000s
Synchronization	Internal	
Min. Illumination	0.05Lux@F1.4	
S/N Ratio	>60dB	
Video Output	1Vp-p Composite Output (75Ω/BNC)	
<b>Camera Features</b>		
OSD	English, Chinese, French, German, Russian, Spanish, Portuguese, Japanese	
Day/Night	Auto(Electronic) / Color / B/W	
Backlight Compensation	BLC / HLC / DWDR	
White Balance	Auto Trace WB1 / Auto Trace WB2 / Manual / Auto	
Gain Control	Auto / Manual	
Noise Reduction	2D	
Privacy Masking	Up to 4 areas	
Picture Adjustment	Mirror / Brightness / Contrast / Sharpness / Hue / Gain	
<b>Lens</b>		
Focal Length	4~9mm (2.8~12mm optional)	
Focus Control	Manual	
Lens Type	Manual / Auto Iris	
Mount Type	Φ14	
<b>General</b>		
Power Supply	DC12V±10% (-A model: DC12V/AC24V dual power supply)	
Power Consumption	Max 3W	
Working Environment	-30°C~+60°C / 20%~80%RH	
Dimensions	Φ140.8mm x 120mm	
Weight	400g (-A: 450g)	

## DH-CA-D480B

### Dimensions (mm)



---

#### Dahua Technology Co., Ltd.

1187 BinAn Road, Binjiang District, Hangzhou, China

Tel: +86-571-87688883

Fax: +86-571-87688815

Email: [overseas@dahuatech.com](mailto:overseas@dahuatech.com)

[www.dahuatech.com](http://www.dahuatech.com)

\*Design and specifications are subject to change without notice.

© 2013 Dahua Technology Co., Ltd.