

## DH-CA-D450C

---

### 520TVL Mini Dome Camera



#### Features

- > 1/3" SONY Super HAD CCD II
- > Resolution of 520TVL(Color)
- > Day/Night, 2DNR,, AWB, AGC,BLC, MD, Privacy Masking, Picture Adjustment
- > 3.6mm fixed lens (2.8mm, 6mm, 8mm optional)
- > DC12V

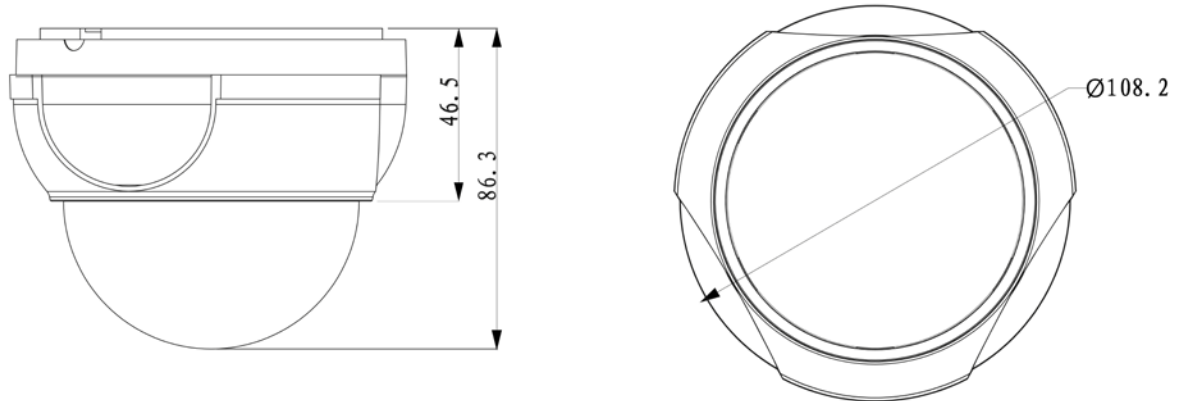
# DH-CA-D450C

## Technical Specifications

Model	DH-CA-D450CP	DH-CA- D450CN
<b>Camera</b>		
Image Sensor	1/3" SONY Super HAD CCD II	
Effective Pixels	500(H) × 582(V)	510(H)×492(V)
Horizontal Resolution	Color: 520TVL	
Electronic Shutter	1/50s~1/100,000s	1/60s~1/100,000s
Synchronization	Internal	
Min. Illumination	0.1Lux@F1.2(0Lux IR LED on)	
S/N Ratio	>50dB	
Video Output	1Vp-p Composite Output (75Ω/BNC)	
<b>Camera Features</b>		
Max. IR LEDs Length	20m	
OSD	English, Chinese	
Day/Night	Auto(Electronic) / Color / B/W	
Backlight Compensation	BLC / HLC	
White Balance	Auto	
Gain Control	Auto	
Noise Reduction	2D	
White Point Removal	Support	
<b>Lens</b>		
Focal Length	6mm (2.8mm, 3.6mm, 8mm optional)	
Mount Type	M12	
<b>General</b>		
Power Supply	DC12V±10%	
Power Consumption	Max 1W	
Working Environment	-10°C~+60°C / 20%~80%RH	
Dimensions	Φ108.2mm×86.3mm	
Weight	300g	

## DH-CA-D450C

### Dimensions (mm)



---

#### Dahua Technology Co., Ltd.

1187 BinAn Road, Binjiang District, Hangzhou, China

Tel: +86-571-87688883

Fax: +86-571-87688815

Email: [overseas@dahuatech.com](mailto:overseas@dahuatech.com)

[www.dahuatech.com](http://www.dahuatech.com)

\*Design and specifications are subject to change without notice.

© 2012 Dahua Technology Co., Ltd.