

DHI-ASL8101K/ ASL8101R/ ASL8101S

High-end Home smart lock



Black Bronze

Antique Copper

Satin Silver

Features

- > 3-way opening: Mifare Card, password and mechanical key
- > Voice prompt: All settings can be finished by following voice prompt
- > Privacy password: xxx+password+xxx, preventing password to be seen by others
- > Passage Mode and Non-disturbance Mode optional
- > Auto lock when come across a consecutive invalid passwords or cards
- > Low Voltage alarm($\leq 4.5V$), doorbell
- > Huge storage: 50 cards, 50 passwords
- > Emergency power supply outside
- > Three colors for choose.
- > Zinc alloy material

DHI-ASL8101K/ ASL8101R/ ASL8101S

Technical Specifications

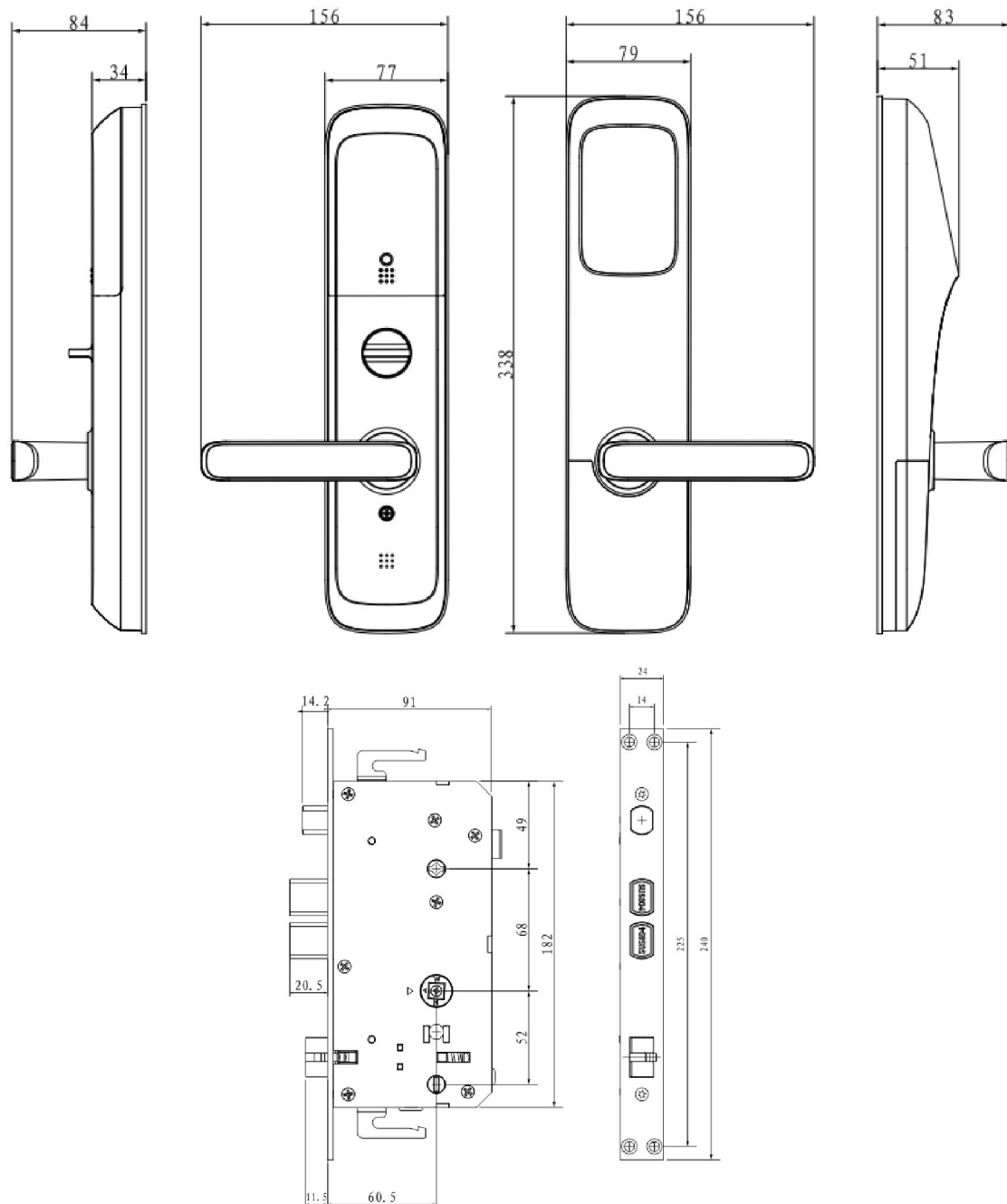
Model	DHI-ASL8101R/ASL8101K/ASL8101S
Card	
Card Type	Mifare 1
Card Features	Contactless, high security, all-in-one possible
Sensor Distance	< 20mm
Sensor Time	< 0.5s
Card Storage Capacity	50
Password	
Keyboard Type	All-touch keyboard
Password Length	6-12 bits
Storage Capacity	50
Special Function	
Privacy Password	Preventing password to be seen by others. Unlock password (consecutive) mixed with random numbers. Eg: xxx+password+xxx, xxx means random numbers.
Passage Mode	Getting in or out freely without any passwords or cards.
Non-disturbance Mode	Only administrator password can unlock.
Auto Lock	Invalid card swiping for five consecutive times/Invalid password input for three consecutive times will cause system to be locked for three minutes.
Battery	
Working Voltage	DC4.5V~6.5V, 4 1.5V"AA"battery
Battery Life	About 1 year (10 units/D)
Low Battery Warning	< DC4.5V
Emergency Power Supply	9V battery
Display	
Low Voltage	Support
Door Status	False lock status, lock status, passage mode, non-disturbance mode
Structure	
Lock Body	European standard
Door Thickness	45-65mm (customizable)
Position Dimension	Door margin 60mm, central distance 68mm
Product Standard	GA701-2007
Material	Zinc alloy
General	
Working Temperature	-30~+70°C
Relative Humidity	10%~93%
Salt spray test	≥200h
Lock case test	≥100000 times

DHI-ASL8101K/ ASL8101R/ ASL8101S

Restore Default	Support
Reset	Support
Ring	Support
Built-in Buzzer	Support
Built-in Loudspeaker	Support

DHI-ASL8101K/ ASL8101R/ ASL8101S

Dimension



*Take ASL8101K as an example

Dahua Technology Co., Ltd.

1199'BinAn Road, Binjiang District, Hangzhou, China

Tel: +86-571-87688883

Fax: +86-571-87688815

Email: overseas@dahuatech.com

www.dahuatech.com

*Design and specifications are subject to change without notice.

© 2014 Dahua Technology Co., Ltd.