

## Flex System Keyport Module

Part number: FS-MP01

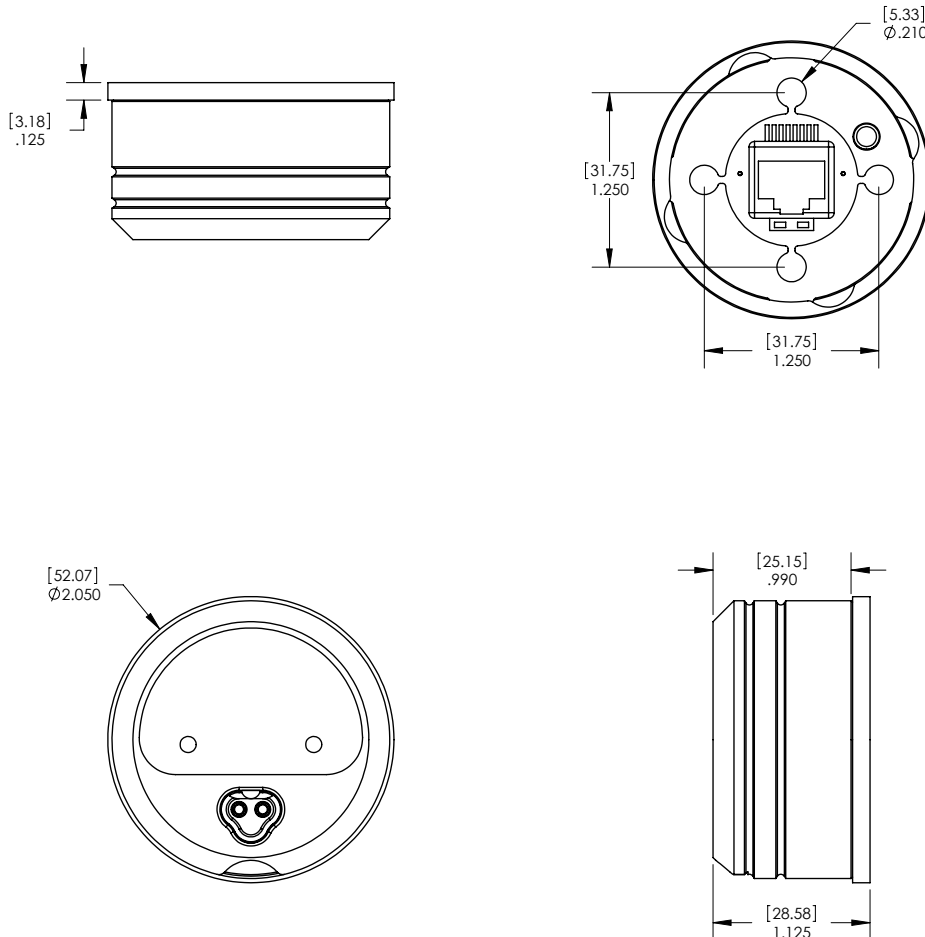
Pro  Enterprise

The Keyport module is a remote interface that allows a key to exchange information via a network. Required items: Flex System Hub and CyberKey(s).



### Specifications

<b>Physical</b>	Clear anodized aluminum
<b>Operating Temperatures</b>	-40° to 140° F, -40° to 60° C
<b>Humidity</b>	0 to 100%
<b>Dimensions</b>	1.13" L x 2.05" D (29 mm x 52 mm)
<b>Weight</b>	5.2 oz (147.4 g)
<b>Power</b>	Via RS485 or CAT 5 patch cable from a Flex System Hub
<b>Connection</b>	RJ45
<b>Indicator Lights</b>	Red: Busy; Green: Ready
<b>Distance from Hub</b>	100 feet using CAT 5 Ethernet patch cable



Notes:  
 Dimensions in inches (mm)  
 Drawing not to scale  
 Ø indicates diameter