

Removable Plug Lock

Part number: CL-RP1



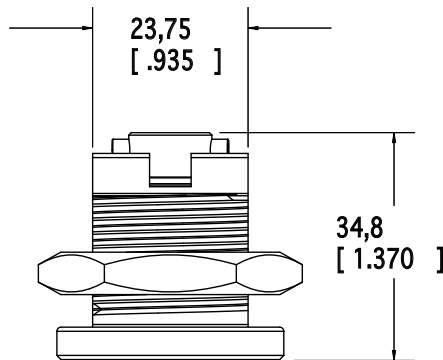
Vending machines for bill changing and ticket dispensing utilize a removable plug lock in front of an allen-head bolt that secures the door. Once the plug lock has been removed, the bolt is loosened to open the door.

The CyberLock removable plug is manufactured to the exact dimensional standards as mechanical plugs, for easy conversion in the field. The outer shell is made of nickel-plated brass. The core's electronics are encased in a nickel-plated steel shell.

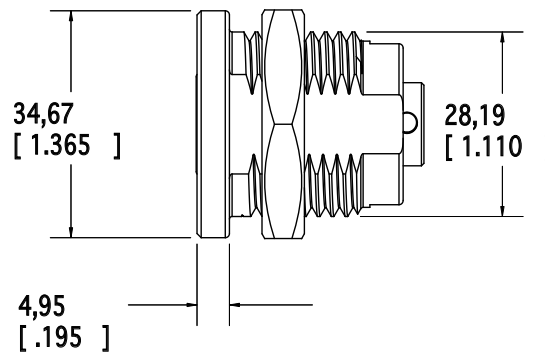
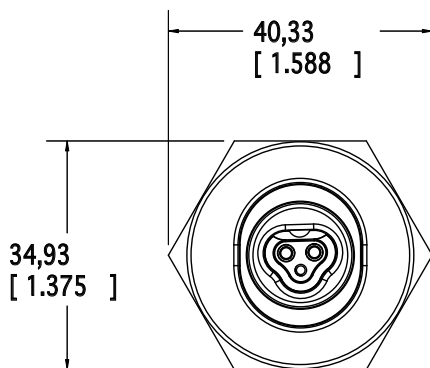
The CyberLock removable plug lock ships with the CyberLock, a star washer, and a nut for securing the lock to the machine.

CyberLock cylinders have several advantages over traditional cylinders:

- Keys cannot be duplicated.
- The lock has no keyway to pick.
- CyberLock's entry restriction and auditing abilities make it ideal for vending machine applications.



Notes:
 Dimensions in mm (inches)
 Drawing not to scale



Removable Plug Lock

Part number: CL-RP1

Specifications

Finish	<ul style="list-style-type: none"> • Nickel plating
Operating Temperature	<ul style="list-style-type: none"> • -40° to 160° F; -40° to 70° C, non-condensing
Power Requirements	<ul style="list-style-type: none"> • None; power is supplied by the key's battery.
Hardware Security Features	<ul style="list-style-type: none"> • No keyway to pick. • If torque is applied to the front of the cylinder, it separates from the back half leaving the cylinder in the locked position. • Resists electric charge applied to the face of the lock.
Hardware Options	<ul style="list-style-type: none"> • Tamper pin which blocks the locking pin automatically when impact force is applied to the front of the lock. • Hardened metal. • Drill-resistant pins.
Number of Keys per Lock	<ul style="list-style-type: none"> • No limit to the number of keys that the lock can support.
Number of Locks per Key	<ul style="list-style-type: none"> • Up to 3300 locks can be accessed with a standard user key. • A Master key has no limit to the number of locks it can access. • A database has no limit to the number of locks or keys it can manage.
Lost Keys	<ul style="list-style-type: none"> • The system can designate and disable lost keys.
Access Schedules	<ul style="list-style-type: none"> • Schedules programmed into the CyberKey provide complete control over specific days and times that a key will operate. A key can use up to 49 different schedules to access locks. • A database has no limit to the number of schedules it can manage. • Holidays may be set as exceptions to the schedules.
Audit Capacities	<ul style="list-style-type: none"> • The lock remembers the last 1100 events with date and time. • A key remembers up to 3900 events with date and time. It can be set to keep only the most recent set of events or to stop operating when its audit trail is full.
Electronic Security Features	<ul style="list-style-type: none"> • Key Expiration – a begin/end date range can be set during which the key will work. • Delayed entry – a lock can be set to delay entry for up to 20 minutes. • Multiple key custody – a lock may be set to require more than 1 key (up to 4) before opening.
Electronic Rekeying	<ul style="list-style-type: none"> • Rekeying a system is done via the software; no need to install new locks and issue new keys.