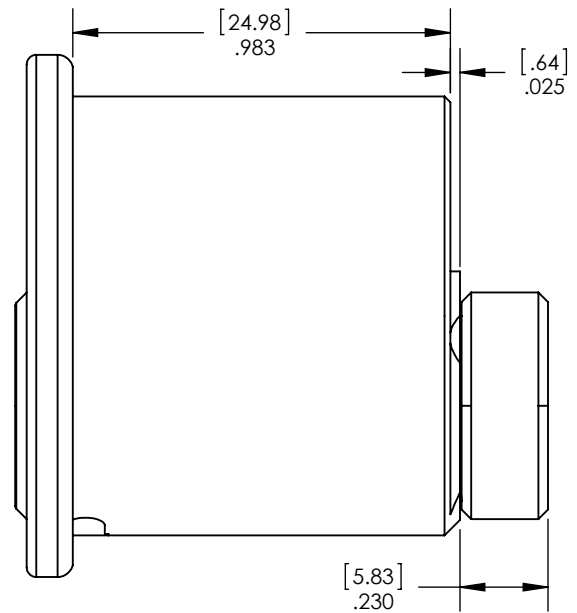
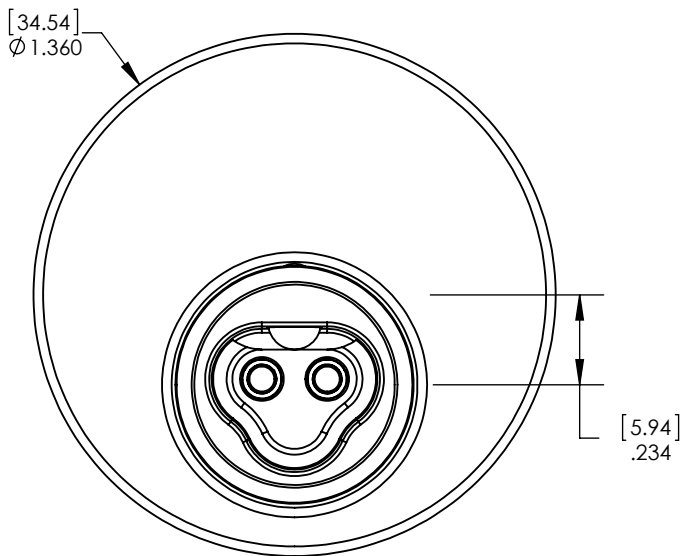
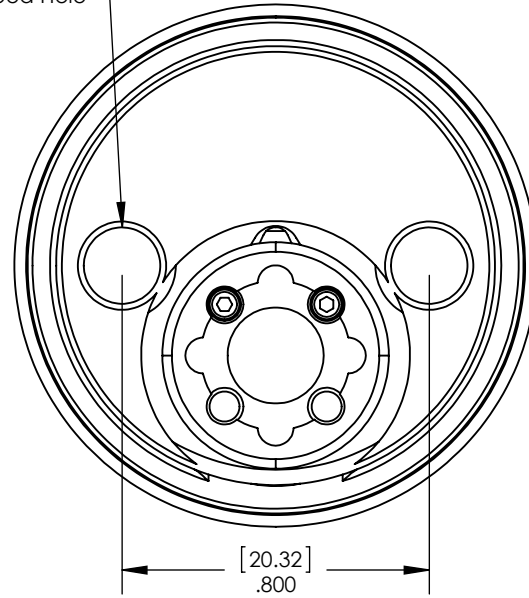


#12-24 X .750 Tapped Hole



PART NUMBER	CL-R1
 1105 NE CIRCLE BLVD CORVALLIS OR 97330 (541) 738-5500	PROPRIETARY INFORMATION OF VIDEX UNLAWFUL TO COPY, REPRODUCE, OR DISCLOSE TO OTHERS BY ANY MEANS WITHOUT EXPRESS WRITTEN CONSENT.

DESCRIPTION
RIM, U.S. STANDARD

PDF CREATED
1/26/2012

REV
A