

CyberKey, Rechargeable Battery, USB

Part number: CK-RXD2

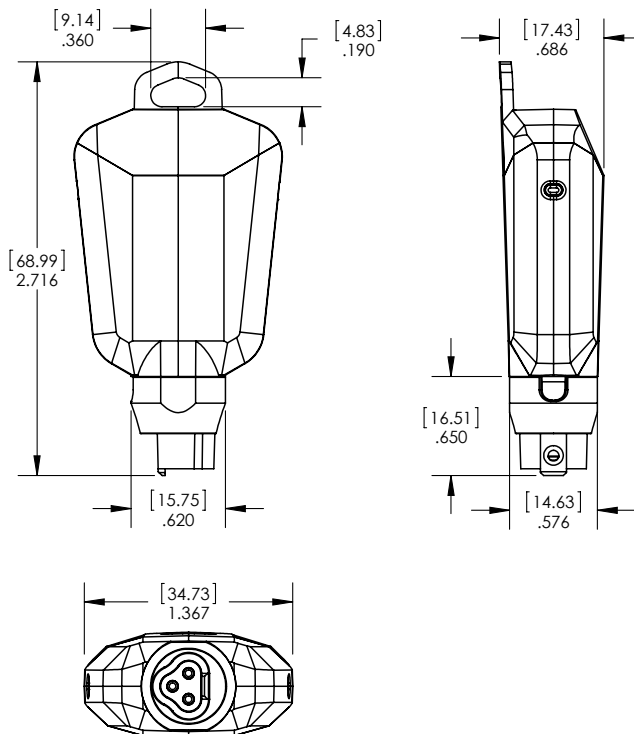
Pro Enterprise



The CyberKey II is an electronic key used to operate CyberLock cylinders. It has memory that contains encrypted access codes, a list of locks it may access, schedules of authorized dates and times it may access locks, and a begin-end date range during which the key will operate. Each time a key touches a CyberLock cylinder, it records the lock ID, date, time, and authorization status. The battery from a CyberKey energizes the electronics within a CyberLock cylinder.

Specifications

Physical Dimensions	Fiberglass reinforced nylon, brass tip 2.72" H x 1.37" W x .69" D (69.0 mm x 34.7 mm x 17.4 mm)
Weight	1.1 oz (31.2 g)
Operating Temperatures	32° to 122° F, 0° to 50° C
Power	Rechargeable lithium ion polymer battery
Recharge	Key tip or the key USB port
Charging Time	2 hours for fully depleted battery when charged with a CyberKey Recharging Station
Battery Charge Level	Battery capacity is measured and can be viewed each time the key communicates with CyberAudit software; Optional e-mail notifications of battery status are available
Memory	Internal memory supports an audit trail of up to 3,900 events
Memory Power Requirement	Memory is non-volatile; all information stored in key memory is retained regardless of battery charge; complete depletion of battery may require docking key to restart clock
Connector	Micro-B USB
CyberAudit-Web Link	Via any compatible CyberLock Communicator or via the key USB port
Indicators	LED light, beeper



Notes:
Dimensions in inches (mm)
Drawing not to scale