

CyberKey, Replaceable Battery

Part number: CK-IR7

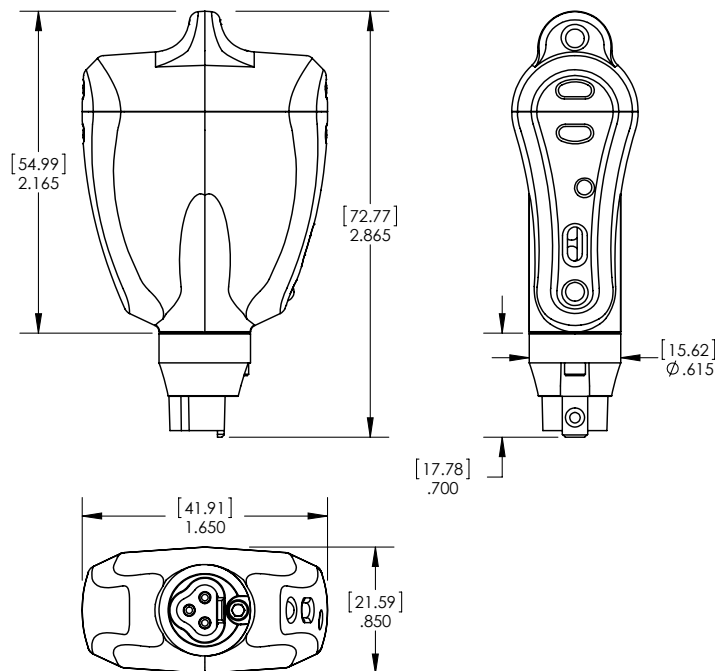
Pro Enterprise

The CyberKey is an electronic key used to operate CyberLock cylinders. It has memory that contains encrypted access codes, a list of locks it may access, schedules of authorized dates and times it may access locks, and a begin-end date range during which the key will operate. The battery from a CyberKey energizes the electronics within a CyberLock cylinder.



Specifications

Physical	Fiberglass reinforced nylon, replaceable brass tip
Operating Temperatures	32° to 122° F, 0° to 50° C
Dimensions	2.87" H x 1.65" W x 0.85" D (72.8 mm x 41.9 mm x 21.6 mm)
Weight	1.5 oz (43.1 g)
Power	3 V lithium CR2 battery, field replaceable
Memory	Internal memory supports an audit trail of up to 3900 events
CyberAudit-Web Link	Via any compatible CyberLock Communicator
Communicator Link	Via the key tip and/or through the infrared port
Visual Indicators	One indicator light (battery level and key activation)
Audio Indicator	An embedded speaker (battery level, access, and communication)



Notes:
 Dimensions in inches (mm)
 Drawing not to scale