

## Conway Delta Receiver

The Delta telemetry receiver is one of a range of telemetry receivers manufactured by Conway. Telemetry control can be obtained through the RS485 medium or via Conway's up the coax method. A small module for each method plugs onto the main receiver PCB, configuring the receiver accordingly.

The Delta receiver is suitable for both Colour and Monochrome CCTV systems where AC Pan & Tilt heads are required.

**Pan & Tilts** The output drives are provided from robust relay drives, suitable for driving both 240V ac and 24V ac heads

**Lenses** Both 4 wire and 3 wire lenses can be driven from the variable output lens drive circuit. Lens speed is adjusted from the control keypad.

**Relay outputs** All function relays can be configured to be latching or momentary in operation. Alternatively the wash and auxiliary can be set to timed operation.

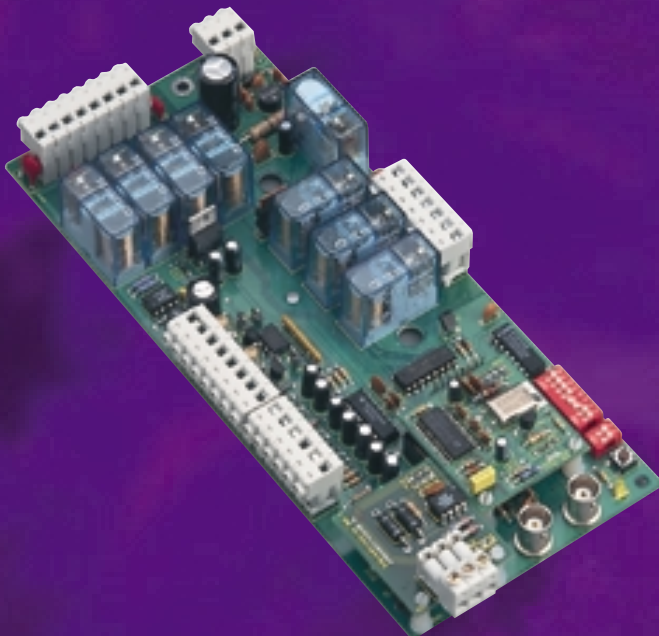
**Pre-sets and Tours** Delta receivers come with the capability to store 80 pre-sets which can be used to create 40 tours. Dwell times at each pause in the tour can be individually programmed. A tour can comprise up to 20 pre-sets. Pre-set positions are easily programmed from the control keyboard.

**Text module** To enhance the operation of the receiver, a small plug-in text module can be fitted. This module will provide the facility to give each pre-set a text caption of 20 characters (default is position 1 etc), a Zone can be represented by a 20 character caption (default is Zone 1 etc) and Time and Date can be displayed on the screen, from each receiver. Ideal for looping monitor applications where text is required on every monitor on route to the control room.

**Privacy zones** With the text module fitted this feature can be utilised. The receiver can be programmed from the control panel to blank out the video signal from the camera automatically between 2 independent pre-set positions on the pan axis. 2 such zones are allowed per receiver.

**Continuous rotation** The receiver has inputs provided for use with sine/cosine or sawtooth output Potentiometers, enabling the use of continuous rotation heads.

Conway Delta Receiver



*Compact design*

*Simple to install*

*PCB format*

*Suitable for mounting  
in Conway range of housings*

*RS485 or Coaxial  
communications*

*Pan & tilt*

*Zoom & focus*

*Wash*

*Wipe*

*Lamps*

*Auxiliary functions*

*Pre-sets*

*Tours*

*Pan zones*

*Privacy zones*

*Alarms*

*Text captions*

*Camera identification*

*Time & date*

*Continuous  
rotation input*

*Plug-in options*

*Plug-in terminals*

*240V ac or 24V ac  
pan & tilt heads*

*Compatible with  
all Conway  
Telemetry products*

*BNC connector for camera  
and cable*

*Stainless steel  
weatherproof boxes available*

*All functions available on both  
RS485 and 'up the coax'*



Delta Receiver

D07-1 issue 1 – 11/03/99

Page 1 of 2

# Conway Delta Receiver

## Technical Specifications

### Video Input

BNC connector

### Video Output

BNC connector

### Communications

RS485 or Coaxial  
(using RF Matrix)

### Zoom and Focus lens drive

Variable speed to suit 6V  
and 12V lens, 4 wire or 3 wire  
configuration

### Pan & Tilt relays

4 Relays for operating AC Pan  
& Tilt heads. Relays are rated  
at 240V ac 3 Amps

### Auxiliary relays

4 Relays are provided for  
Wash, Wipe, Lamps 1,  
Auxiliary, Relays are rated at  
240V ac 5 Amp

### Pre-set positions

The receiver can store up to  
80 pre-sets

### Tours

The receiver can store up to  
40 Tours each consisting of  
30 pre-sets

### Alarm response

The receiver can respond to  
commands generated by the  
system in response to alarms,  
i.e. Go to a pre-set or begin  
a Tour

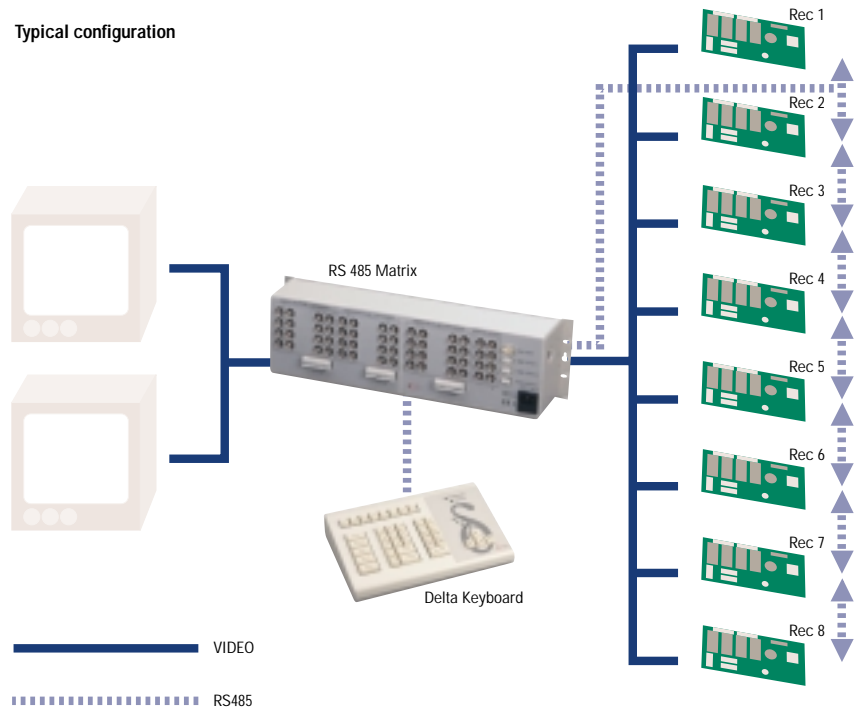
### Tamper input

Alarm input on the receiver

### Pre-set inputs

Feedback from lens and pan &  
tilt head Potentiometers

Typical configuration



### Non volatile memory

All receivers have non-volatile  
memory for storage of Pre-set  
positions, Pre-set text, Dwell  
times, Tours, Zone text and  
Alarm response

### Text module

The text module option  
compliments the Receiver with  
a 20 character description:  
pre-set positions, camera titles  
and pan zone descriptions.  
This option also enables the  
privacy zone feature and time  
& date stamps the video signal  
throughout the system.

### Privacy zones

Each receiver can be  
programmed to blank out the  
video between 2 independent  
pre-set points on the pan axis.  
2 zones are available

### Continuous rotation

The Delta receiver is  
compatible with Continuous  
Rotation Pan & Tilt heads

### Weight

PCB only 200g

### Size PCB

90x215x30

### Power supply

9V ac (Conway part txdel9v)

### Power consumption

Approx. 20Va with all relays  
energised

### Operating temperature

-10C to +45C

Dimensions are all millimetres.



Due to a policy of continual improvement, specifications may be subject to change.

Delta Receiver

D07-1 issue 1 – 11/03/99

Page 2 of 2



Seymore House, Copyground Lane, High Wycombe, Bucks HP12 3HE  
Tel: 01494 461373 Fax: 01494 531685 www.conway-cctv.co.uk

