

Conway RS485 Matrix 3

The RS485 Matrix 3 forms the main routing device for all the video signals within a telemetry system. All video inputs are loop through, enabling primary connections to be made to other processing equipment, for example multiplexer units or digital recorders for recording purposes.

The matrix is modular in design and expandable in blocks of 8. The matrices can have up to 64 programmable alarm inputs. Expansion of alarms can be achieved by the use of remote alarm interface modules. A 16 input, 8 output matrix will fit into a standard 19" rack format 3u high. Matrices can be as small as 8 input with 4 or 8 monitor outputs, expanding up to 200 inputs with up to 40 outputs.

The system can be linked up to external PC based software packages via RS232 or RS485 protocols.

The RS485 Matrix 3 has the ability to learn what devices are connected to it and show the addresses on screen. This can be an invaluable aid when first powering up a system as it shows the commissioning engineer which receivers are responding.

The Matrix 3 has the ability to control all of Conway telemetry receivers along with other manufacturers domes via a protocol converter. The Matrix can be controlled by up to 8 keyboards.

Alarm handling on the Matrix 3 gives increased capability for alarm actions. Cameras can be switched to monitors, sent to pre-set positions or tours and relays can be operated in the field via the remote alarm interfaces.

The Matrix 3 has been extensively tested to work over a variety of third party transmission systems. These cover radio links, microwave links and ISDN working with the likes of the Sony PMS system and Vision Systems Adpro.

A text caption can be displayed on all monitor outputs providing camera ID text and Alarm messages. All monitors can sequence through any camera in a programmed sequence of up to 20 cameras, with individual dwell times.

Products not shown to scale



Compact design

Simple to install

Plug 'n' Play

PC interface

Modular

RS485 communications

Alarm inputs

Text captions

Plug terminals

AC or DC Pan & tilt heads

Conway telemetry compatible

Controls Conway domes

BNC connector for camera input and loop outputs

19" Rack mount or wall mount

Can control other manufacturers domes

Free Sigma system configuration software



RS485 Telemetry Matrix 3

D12-1 issue 2 – 01/09/00

Page 1 of 2

Conway RS485 Matrix 3

Communications

Communications to the receivers and remote alarm interface devices is via three buffered RS485 loops, through 9 way D type connectors.

The input from the keyboards and other matrices is via a separate 9 way D type connector.

The alarm input connections are made to the plug terminals.

Technical Requirements for 16 x 8

Weight

2Kg. 16 input 8 output

Size

3u high 19" rack, 210mm depth plus rackmount kit

Power supply

230 VAC

Power consumption

30Va for up to 16 input
8 output

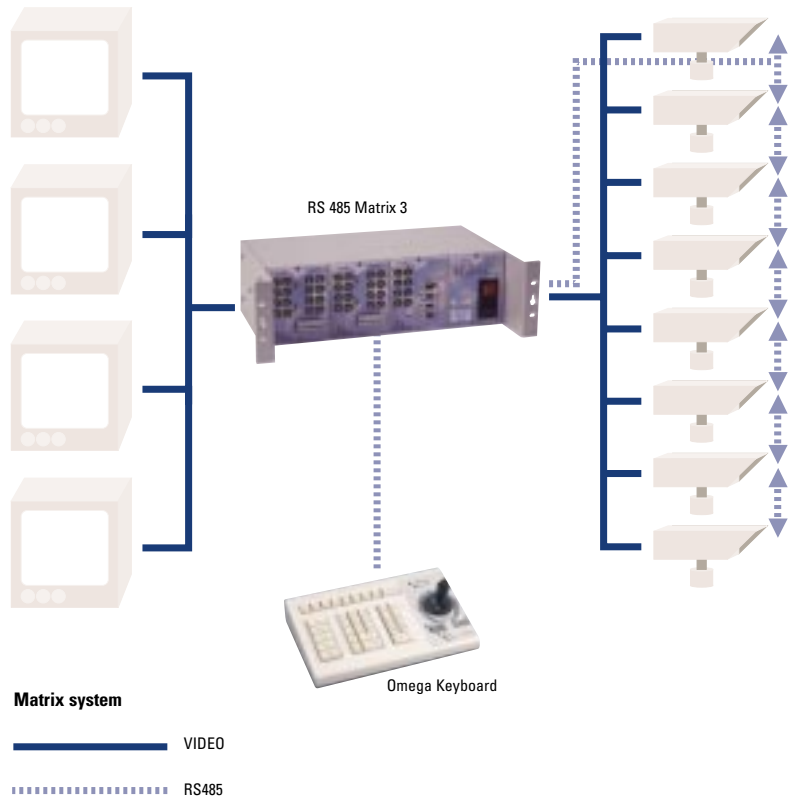
Operating temperature

-10C to +45C

Special software

Conway can supply economical systems which can be modified to meet each customers individual requirements

Typical configuration



Due to a policy of continual improvement, specifications may be subject to change. Drawings not shown to scale.