

## Conway Internal Wall and Ceiling Mounted Housings IHC4, IHW4 and Corner Kit

The Conway IHC4 and IHW4 camera housings are designed specifically to provide an environment for camera and lens assemblies that is safe from interference and relatively dust free. The housing also gives the added advantage of hiding cables and wires that might be unsightly in many situations.

The IHC4 in particular, can be found in prominent installations in the UK and throughout the world, ranging from transport systems, schools, prisons, car parks, banks and supermarkets.

The camera mounting assembly has been designed to cope with most major cameras on the market. It has the ability to take top or base mounting cameras and the removal of one part of the assembly will allow the housing to be mounted on a wall either left or right facing.

The IHW4 is designed to allow the camera and lens to look directly out from a wall or flat vertical surface. A small amount of side-to-side adjustment is possible (approx. 20 degrees). Vertical adjustment (approx. 60 degrees) is also possible.

### Optional

- The CK is a corner mounting unit made for the IHW4 to allow the unit to be fixed in a 90 degree corner.
- Heater, please specify voltage when ordering.

**Special Finishes** At Conway we manufacture all of our products at our factories in High Wycombe and are therefore able to apply special colour finishes to customer specifications.

Products not shown to scale

*Vandal resistant*

*White powder coated finish  
as standard*

*Constructed from  
1.6mm CR4 steel*

*Corner Kit available for IHW4*

*Stainless steel  
options available*

*Optional heater  
assemblies available*

*Tough polycarbonate screen*

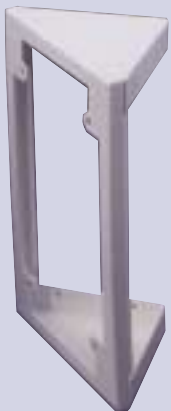
*Special finishes available*

*Replacement polycarbonate  
screens available*

*Anti tamper kits*

*Cable termination*

IHW4/CK Corner Kit



IHW4



IHC4



IHC4/IHW4/CK

D14-1 issue 2 - 01/09/00

Page 1 of 2

# IHC4, IHW4 and Corner Kit

## Specifications

### Material

1.6 CR4 steel

### Finish

Powder coated

### Window

Polycarbonate

### Single Tamper Locking Screw

M8

## Options

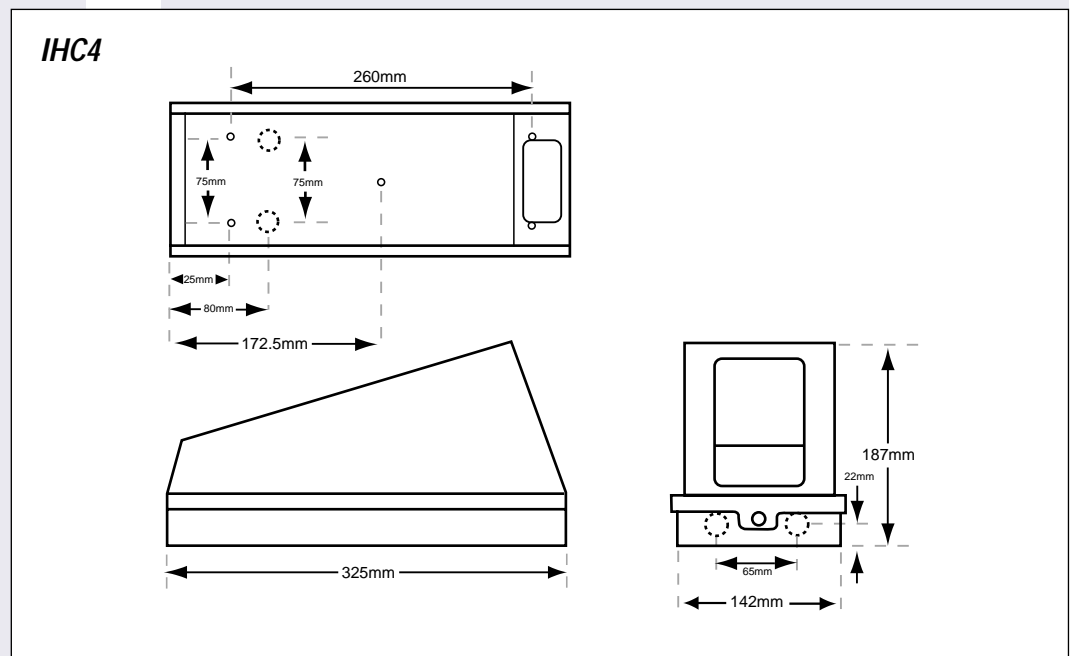
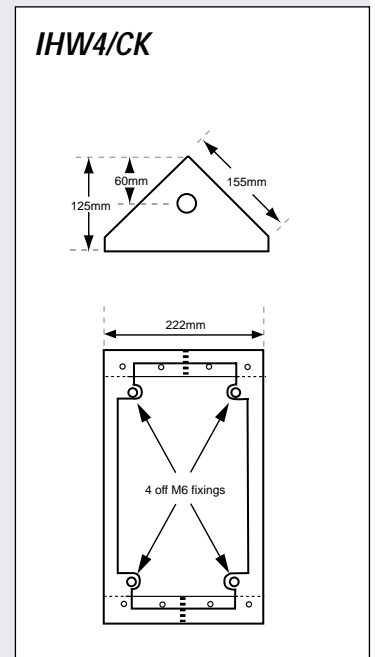
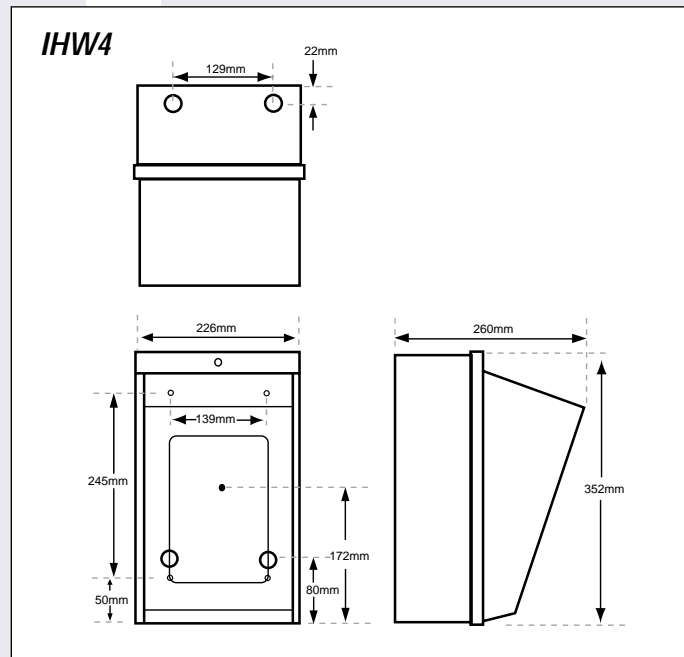
### Heater

T2 Anti-tamper switch

T4 Monodrive hexagon tool and bolt

Stainless steel

Special finishes



Due to a policy of continual improvement, specifications may be subject to change. Drawings not shown to scale.

