

# TG3Z3510AFCS-IR

VARI FOCAL 3X 3.5 -10.5mm F1.0 Day&Night type  
for 1/3" format cameras

CS-Mount

with Focus, with Amplifier

Model No.		TG3Z3510AFCS-IR	Effective Lens Aperture	Front	18.6mm Dia
Focal Length		3.5mm ~ 10.5mm		Rear	10.2mm Dia
Max. Aperture Ratio		1 : 1.0	Back Focal Length	Tele	16.3mm
Max. Image Format		4.8 x 3.6mm (6mm Dia)		Wide	8.0mm
Operation Range	Iris	F1.0 ~ F360C	Flange Back Length		12.5mm
	Focus	0.3m ~ Inf.	Mount		CS-Mount
	Zoom	3.5mm~ 10.5mm	Filter Size		
Control	Iris	Auto Iris	Dimensions		38.5 x 47 x 48.8mm
	Focus	Manual	Weight		70g
	Zoom	Manual			
Object Dimension at M.O.D.	2.8 mm	52.0cm x 34.1cm			
	12 mm	14.5cm x 10.8cm			
Angle of View	D	108.2°~34.2°mm			
	H	1/2" 81.8°~27.2°mm			
	V	59.2°~20.4°mm			
Supply Voltage		DC8.5 ~ 16V			
Current		Less than 40mA			
Response Time		Approx. 2 sec.			
Light Weighting Method		Adjustable between Average - Peak ( to be set at Average at factory )			
Input Signal		Video Signal (V orVS)			
Iris Accuracy		± 15% at Video Signal Level			
Sensitivity Adjustment		0.5 ~ 1.0Vp-p (Video Signal)			
Input Impedance		High Impedance			
Operating Temperature		-20 ~ +50mmC			

1/3

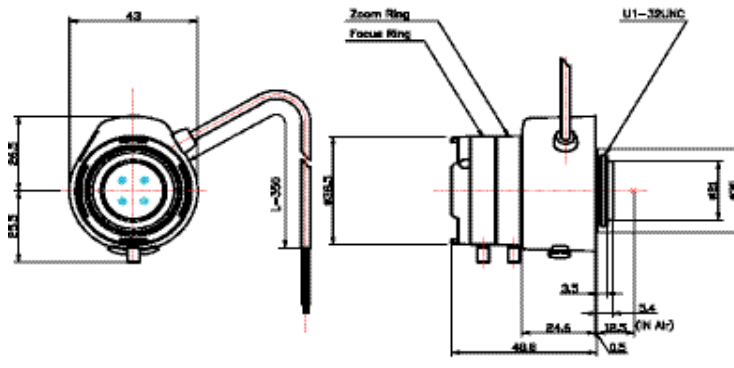
CS

AG

Z

SP

Dimensions



Wiring Diagram

