

TG2625FCS-P

2.6mm F2.5

for 1/3" format cameras

CS-Mount

Pinhole Lens with Focus, w/o Amplifier

Model No.	TG2625FCS-P		Effective	Front	φ 4.8 mm
Focal Length	2.6mm		Lens Aperture	Rear	φ 11.5mm
Max. Aperture Ratio	1 : 2.5		Back Focal Length	14.09 mm	
Max. Image Format	4.8 x 3.6mm (φ 6mm)		Flange Back Length	12.5 mm	
Operation Range	Iris	F2.5 ~ 360	Mount	CS-Mount	
	Focus	0.2m ~ Inf.	Filter Size	-	
Control	Iris	Auto Iris(by galvanometer)	Dimensions	φ 34.5 × 39.8 × 73.5 mm	
	Focus	Manual	Weight	82g	
Object Dimension at M.O.D.	35.5 x 26.7cm				
Angle of View	D	96.0°	1/4"	79.5°	
	H	83.2°		67.5°	
	V	67.5°		53.2°	
Coil	Drive	190 ohm			
	Control	855 ohm			
Operating Temperature	-20°C ~ +50°C				

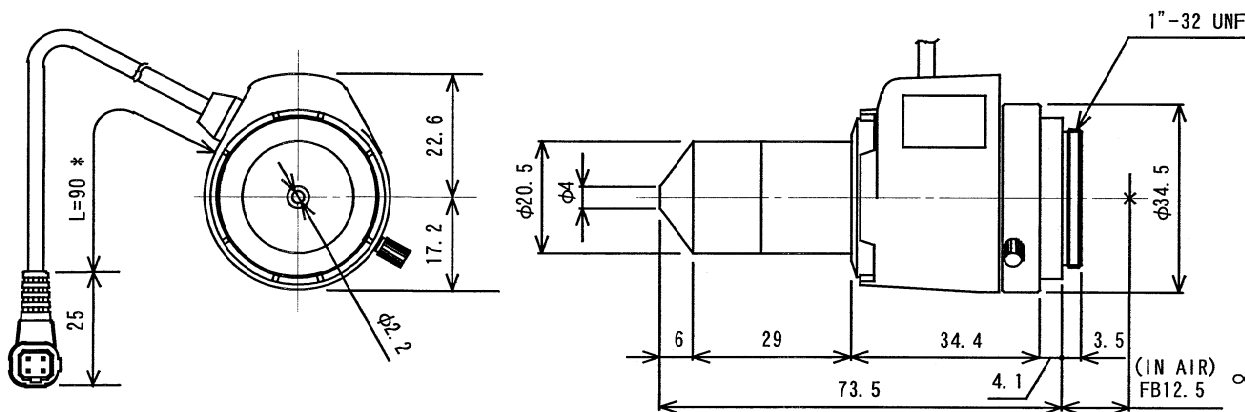
1/3

CS

AG

M.O.D. : Minimum Object Distance

Dimensions



SP

* : 310mm cable is available

Wiring Diagram

