

TG2314FCS-3

2.3mm F1.4
for 1/3" format cameras
CS-Mount

with Focus, w/o Amplifier

Model No.	TG2314FCS-3		Effective	Front	φ 22.8 mm
Focal Length	2.3mm		Lens Aperture	Rear	φ 7.0 mm
Max. Aperture Ratio	1 : 1.4		Back Focal Length	7.1 mm	
Max. Image Format	4.8 x 3.6mm (φ 6mm)		Flange Back Length	12.5 mm	
Operation Range	Iris	F1.4 ~ 360	Mount	CS-Mount	
	Focus	0.2m ~ Inf.	Filter Size	-	
Control	Iris	Auto Iris(by galvanometer)	Dimensions	φ 32.0 × 39.8 × 35.4 mm	
	Focus	Manual	Weight	45g	
Object Dimension at M.O.D.	60.8 x 37.5cm				
Angle of View	D	137.9°	1/4"	106.7°	
	H	113.3°		86.3°	
	V	86.3°		65.3°	
Coil	Drive	190 Ω			
	Control	855 Ω			
Operating Temperature	-20 ~ +50° C				

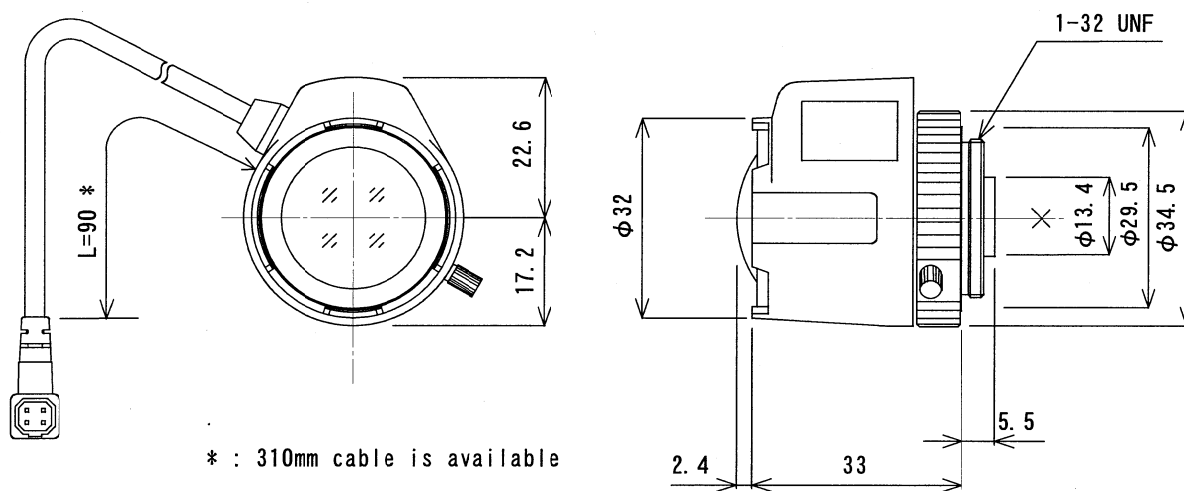
1/3

CS

AG

M.O.D. : Minimum Object Distance

Dimensions



Wiring Diagram

