

T6Z5710PDC-CS

6X 5.7~34.2mm F1.0
for 1/3" format cameras
CS-Mount

With Preset

Model No.	T6Z5710PDC-CS		Effective	Front	φ 41.0 mm
Focal Length	5.7~34.2mm		Lens Aperture	Rear	φ 10.2mm
Max. Aperture Ratio	1 : 1.0		Back Focal Length		8.5 mm
Max. Image Format	4.8 x 3.6mm (φ 6mm)		Flange Back Length		12.5 mm
Operation Range	Iris	F1.0 ~ 360	Mount		CS-Mount
	Focus	1.2m ~ Inf.	Filter Size		M49 P=0.75 mm
	Zoom	5.7~34.2mm	Tripod Screw		1/4"-20UNC
Control	Iris	DC Auto Iris(by galvanometer)	Dimensions		W68.5 x H76.3 x D82.5mm
	Focus	Motorized, Preset	Weight		480g
	Zoom	Motorized, Preset			
Object Dimension at M.O.D.	5.7mm	101.6 x 75.2cm			
	34.2mm	17.0 x 13.0cm			
Angle of View	D	1/3"	56.5~10.0°		
	H		45.9~8.1°		
	V		34.8~6.2°		
Control	Focus		Zoom		
Supply Voltage	DC8V		DC8V		
Current	25mA or less		25mA or less		
Response Time	Approx. 3.5 sec.		Approx. 4 sec.		
Preset Potentiometer	5KΩ VR		5KΩ VR		
Iris	Drive Coil	190Ω			
(DC Auto Iris)	Control Coil	1000Ω			
Operating Temperature	-10°C ~ +50°C				

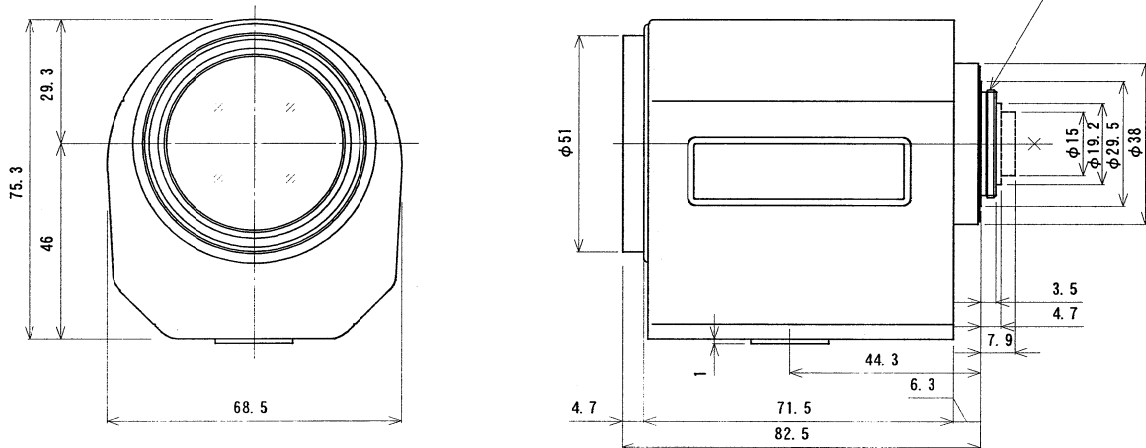
1/3

CS

ZA

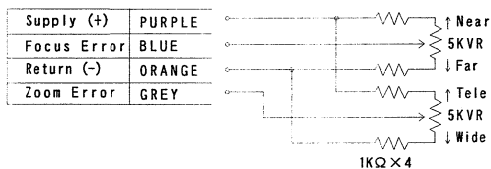
M.O.D. : Minimum Object Distance

Dimensions



Wiring Diagram

PRESET POTENTIOMETER



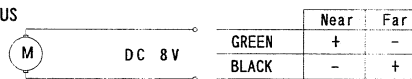
IRIS



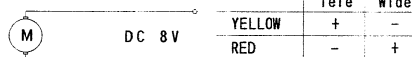
Pin No.

1	BROWN	Control (-)
2	RED	Control (+)
3	YELLOW	Drive (+)
4	ORANGE	Drive (-)

FOCUS



ZOOM



(B&W)

(B&W)

Using with a B/W camera. Please use the attached "B/W aberration compensation Filter" and "FB compensation Spacer". the filter(M20 P=0.5mm) should be screwed onto the lens from rear side and the spacer should be placed between lens and camera.

Remarks: Connect together with Black(Focus) and Red(Zoom) for common system when necessary.