

T6Z5710AIVD-CS

6X 5.7~34.2 mm F1.0

for 1/3" format camera

CS-Mount

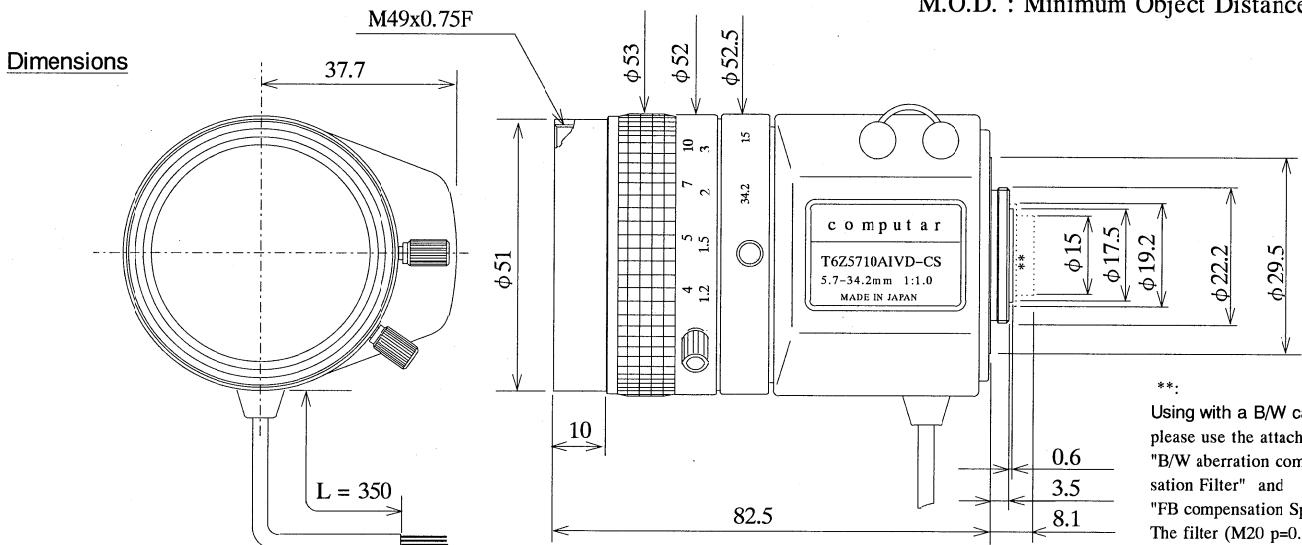
with Amplifier

Model No.	T6Z5710AIVD-CS		Effective Front	φ 41.0 mm
Focal Length	5.7~34.2 mm		Lens Aperture Rear	φ 10.2 mm
Max. Aperture Ratio	1:1.0		Back Focal Length	8.5 mm
Max. Image Format	4.8×3.6 mm (φ 6 mm)		Flange Back Length	12.5 mm
Operation	Iris	Auto Iris, F1.0~360 (by galvano control)	Mount	CS-Mount
	Focus	Manual, 1.2m~Inf.	Filter Size	M49 P=0.75 mm
	Zoom	Manual, 5.7~34.2 mm	Tripod Screw	1/4"-20UNC
Object Dimension at M.O.D.	5.7 mm	101.6 × 75.2 cm	Dimensions	φ 53.0 x 64.0 x 82.5 mm
	34.2 mm	17.0 x 13.0 cm		Weight
Angle of View	D	56.5° ~ 10.0°		
	H	1/3" 45.9° ~ 8.1°		
	V	34.8° ~ 6.2°		
Supply Voltage	DC 8.5~16 V			
Current	Less than 40 mA			
Transit Time	Approx. 2 sec.			
Light Weighting Method	Adjustable between Average - Peak (to be set at Average at factory)			
Input Signal	Video Signal (V or VS)			
Iris Accuracy	± 15% at Video Signal Level			
Sensitivity Adjustment	0.5~1.0Vp-p (Video Signal)			
Input Impedance	High Impedance			
Operating Temperature	-20° C ~ +50° C			

1/3

CS

M.O.D. : Minimum Object Distance



Wiring Diagram

LENS	RED	Vcc (+) DC8.5 - 16V
	WHITE	Video Signal (V or VS)
	BLACK	Vcc (-)

**:
Using with a B/W camera,
please use the attached
"B/W aberration compen-
sation Filter" and
"FB compensation Spacer".
The filter (M20 p=0.5mm)
should be screwed onto
the lens from rear side
and the spacer should be
placed between lens and
camera.

ZA