

HD Series Megapixel IR T3Z0312CS-MPIR

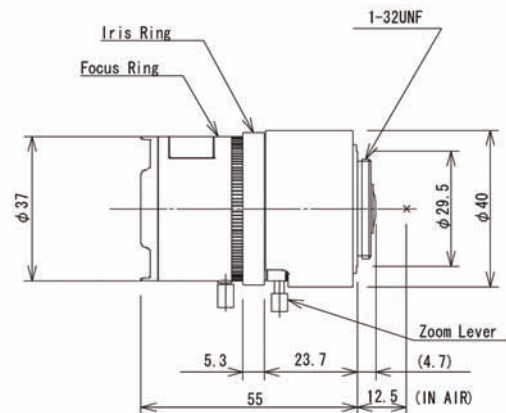
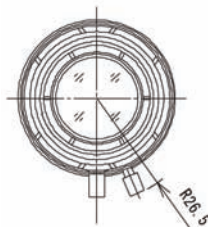
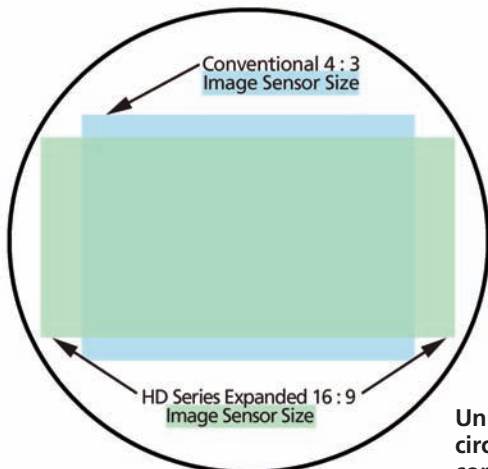


- 3 Megapixel Manual Iris Varifocal
- Full HD Format
- Precise Focus Adjustment
- IR Corrected Optics
- Corner Brightness
- DC Auto Iris Model Also Available

Model No.	T3Z0312CS-MPIR		Effective	Front	ϕ 20.9mm
Focal Length	3mm - 8mm		Lens Aperture	Rear	ϕ 10.5mm
Max. Aperture Ratio	1:1.2		Back Focal	Tele	7.8mm
Max. Image Format	3.6mm x 4.8mm (ϕ 6mm)		Length	Wide	7.8mm
Operation Range	Iris	F1.2 - F16C	Flange Back Length		12.5mm
	Focus	0.3m - Inf.	Mount		CS-Mount
	Zoom	3mm - 8mm	Filter Size		—
Control	Iris	Manual	Dimensions		ϕ 40mm x 55mm
	Focus	Manual	Weight		54.5g
	Zoom	Manual			
Angle of View	D	1/3 type	115.8° - 43.9°	1/4 type	84.8° - 33°
	H		90.7° - 35.2°		67.3° - 26.5°
	V		67.3° - 26.5°		50.2° - 19.9°
Operating Temperature	-10°C - +50°C				

Specifications are subject to change without notice.

Dimensions:



Unique HD optical design provides larger image circle for exceptional brightness and clarity in corners and throughout image plane.