

T2Z3514CS-2

VARI FOCAL 2X 3.5~8.0 mm F1.4

for 1/3" format cameras

CS-Mount

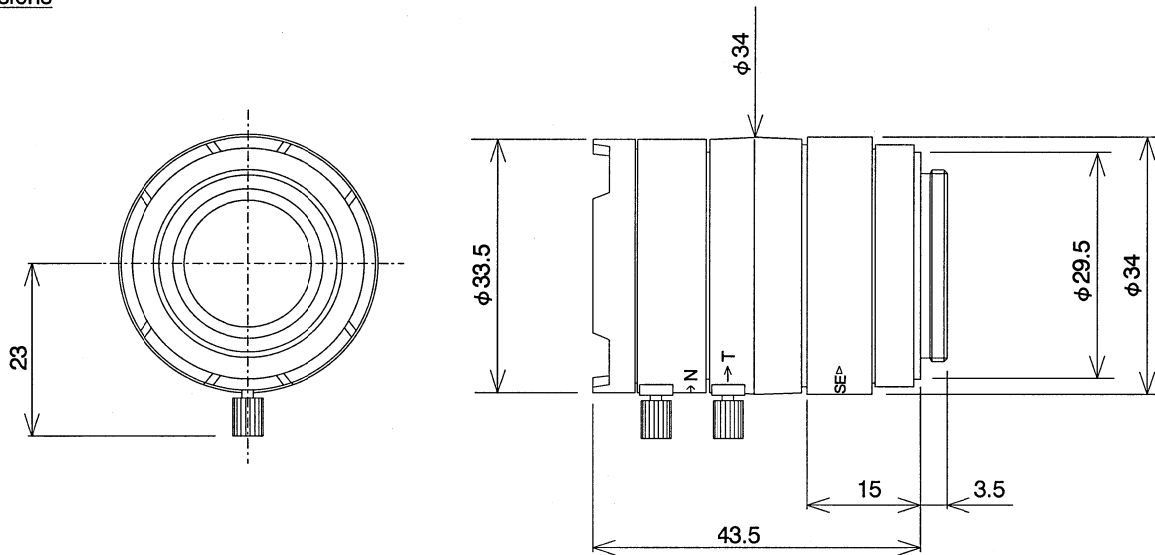
Model No.	T2Z3514CS-2		Effective	Front	φ 16.6 mm
Focal Length	3.5 ~ 8 mm		Lens Aperture	Rear	φ 9.0 mm
Max. Aperture Ratio	1 : 1.4		Back Focal	Tele	13.1 mm
Max. Image Format	4.8 × 3.6 mm (φ 6 mm)		Length	Wide	8.3 mm
Operation	Iris	Manual, F1.4~C	Flange Back Length		12.5 mm
	Focus	Manual, 0.4 m~Inf.	Mount		CS-Mount
	Zoom	Manual, 3.5~8 mm	Filter Size		-
Object Dimension at M.O.D.	3.5 mm	64.3 × 43.9 cm	Dimensions		φ 34.0 X 43.5 mm
	8 mm	25.5 × 18.9 cm	Weight		38 g
Angle of View	D	97.9° ~ 44.3°			
	H	77.6° ~ 35.4°			
	V	57.6° ~ 26.6°			
Operating Temperature	-20° C ~ +50° C				

1/3

CS

M.O.D. : Minimum Object Distance

Dimensions



Z

SP