

T21Z5816M-CS

21X 5.8mm - 121.8mm F1.6
for 1/3 type Cameras, Motorized Zoom
CS-Mount

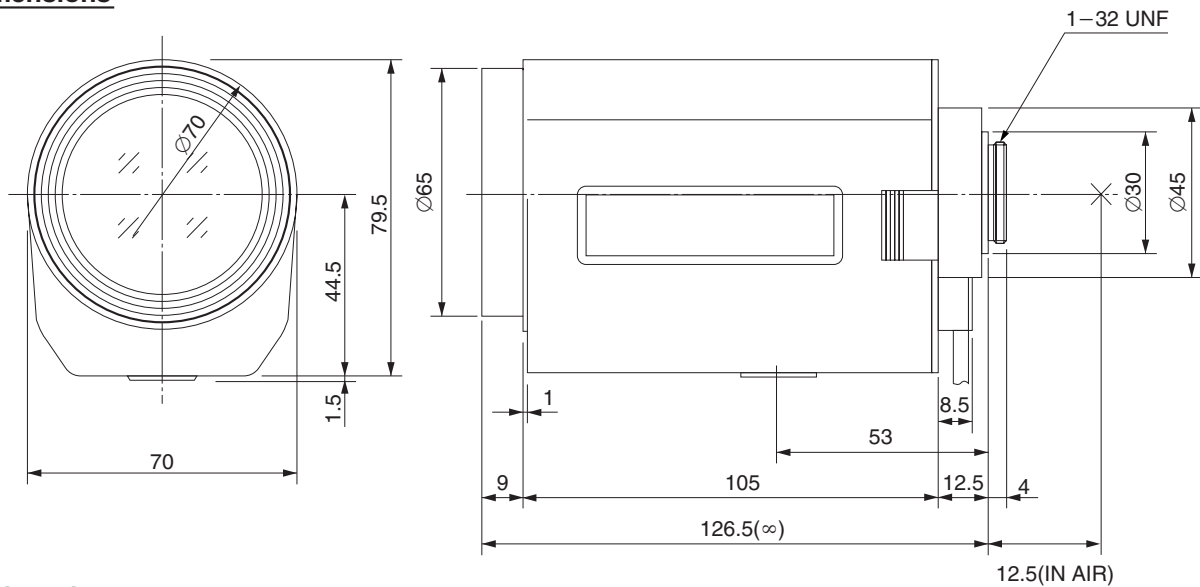
Model No.	T21Z5816M-CS		Effective	Front	Ø53.2mm	
Focal Length	5.8mm - 121.8mm		Lens Aperture	Rear	Ø10.6mm	
Max. Aperture Ratio	1:1.6		Back Focal Length	13.6mm		
Max. Image Format	4.8mm x 3.6mm(Ø6mm)		Flange Back Length	12.5mm		
Operation Range	Iris	F1.6 - F22C		Mount	CS-Mount	
	Focus	1.5m - Inf.		Filter Size	M62 P=0.75mm	
	Zoom	5.8mm - 121.8mm		Tripod Screw	1/4 - 20UNC	
Control	Iris	Motorized		Dimensions	W70mm x H81mm x D126.5mm	
	Focus	Motorized		Weight	665g	
	Zoom	Motorized				
Object Dimension at M.O.D.	5.8mm	123.7cm x 91.1cm				
	121.8mm	6cm x 4.7cm				
Angle of View	D	1/3 type	55.5° - 2.9°	1/4 type	42.0° - 2.2°	
	H		44.8° - 2.3°		33.8° - 1.8°	
	V		33.8° - 1.8°		25.3° - 1.3°	
	Iris	Focus	Zoom			
Supply Voltage	DC8V		DC8V	DC8V		
Current	20mA or less		40mA or less	35mA or less		
Response Time	Approx. 2.5 sec.		Approx. 4.5 sec.	Approx. 3.5 sec.		
Preset Potentiometer	—		—	—		
Operating Temperature	-10°C - +50°C					

1/3 type

CS

M.O.D. : Minimum Object Distance

Dimensions



Wiring Diagram

