

MCA0518APC

4.8mm F1.8

for 2/3" format camera

C-Mount

with Amplifier, with Focus

Model No.	MCA0518APC	Effective	Front	φ37.4 mm
Focal Length	4.8 mm	Lens Aperture	Rear	φ14.2 mm
Max. Aperture Ratio	1:1.8	Back Focal Length		12.88 mm
Max. Image Format	8.8×6.6 mm (φ11 mm)	Flange Back Length		17.526 mm
Operation	Iris	Auto Iris F1.8~360	Mount	C-Mount
		(Auto close system)	Filter Size	M49.0 x 0.75mm
	Focus	Manual, 0.2m~Inf.	Dimensions	φ51.0×52.0 mm
Object Dimension at M.O.D.	35.8 x 26.8 cm	Weight		175 g
Angle of View	D	99.4°		
	H	86.8°		
	V	70.3°		
Supply Voltage	DC 8~16 V			
Current	Less than 50 mA			
Transit Time	Approx. 2 sec.			
Light Weighting Method	Adjustable between Average - Peak (to be set at Average at factory)			
Input Signal	Video Signal (V or VS)			
Iris Accuracy	± 10% at Video Signal Level			
Sensitivity Adjustment	0.5~1.0Vp-p (Video Signal)			
Input Impedance	High Impedance			
Operating Temperature	-20 C~+50 C			

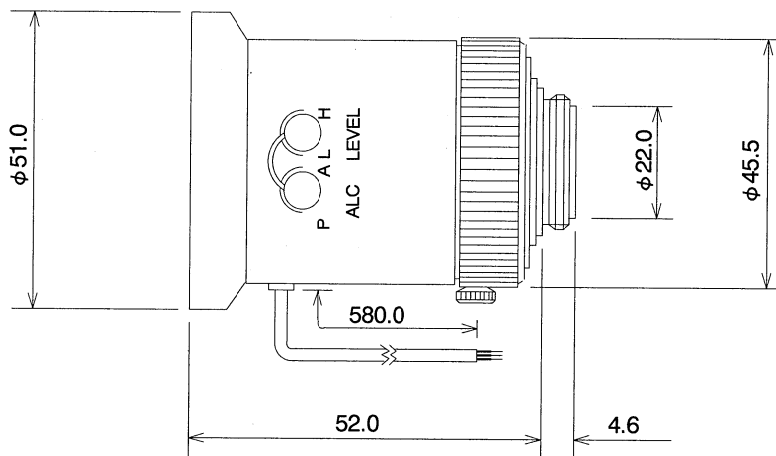
2/3

C

AS

M.O.D. : Minimum Object Distance

Dimensions



Wiring Diagram

