

M1614

16mm F1.4

for 2/3" format cameras

C-Mount

W/O Iris

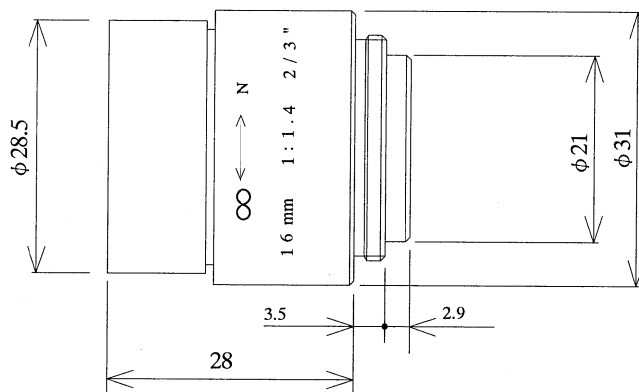
Model No.	M1614	Effective	Front	φ 14.5 mm
Focal Length	16 mm	Lens Aperture	Rear	φ 10.8 mm
Max. Aperture Ratio	1 : 1.4	Back Focal Length		11.4 mm
Max. Image Format	8.8 X 6.6 mm (φ 11 mm)	Flange Back Length		17.526 mm
Operation	Iris	No Iris	Mount	C-Mount
	Focus	0.25m ~ Inf.	Filter Size	-
Object Dimension at M.O.D.	13.7 x 10.3 cm	Dimensions		φ 31x28 mm
		Weight		25 g
Angle of View	D	38.3°		
	H	30.5°		
	V	23.2°		

2/3

C

M.O.D. : Minimum Object Distance

Dimensions



F