

# HG3Z1014AFCS

VARI FOCAL 3X 10mm - 30mm F1.4

for 1/2" format cameras

CS-Mount

with Focus, with Amplifier

Model No.		HG3Z1014AFCS		Effective Lens Aperture	Front	22.0mm Dia	
Focal Length		10mm ~ 30mm			Rear	8.8mm Dia	
Max. Aperture Ratio		1 : 1.4		Back Focal Length	Tele	20.2mm	
Max. Image Format		6.4 x 4.8mm (8mm Dia)			Wide	8.1mm	
Operation Range	Iris	F1.4 ~ F360C		Flange Back Length		12.5mm	
	Focus	0.6m ~ Inf.		Mount		CS-Mount	
	Zoom	10mm~ 30mm		Filter Size			
Control	Iris	Auto Iris		Dimensions		37.5 x 48 x 56mm	
	Focus	Manual		Weight		130g	
	Zoom	Manual					
Object Dimension at M.O.D.	2.8 mm	38.8cm x 28.6cm					
	12 mm	13.1cm x 9.9cm					
Angle of View	D	44.8°~15.6°mm		35.6°~11.7°mm		25.1°~8.8°mm	
	H	1/2" 35.8°~12.5°mm		1/3" 26.8°~9.4°mm		1/4" 20.1°~5.3°mm	
	V	26.8°~9.4°mm		20.1°~7.1°mm		15.0°~5.3°mm	
Supply Voltage		DC8.5 ~ 16V					
Current		Less than 40mA					
Response Time		Approx. 2 sec.					
Light Weighting Method		Adjustable between Average - Peak ( to be set at Average at factory )					
Input Signal		Video Signal (V orVS)					
Iris Accuracy		± 15% at Video Signal Level					
Sensitivity Adjustment		0.5 ~ 1.0Vp-p (Video Signal)					
Input Impedance		High Impedance					
Operating Temperature		-20 ~ +50mmC					

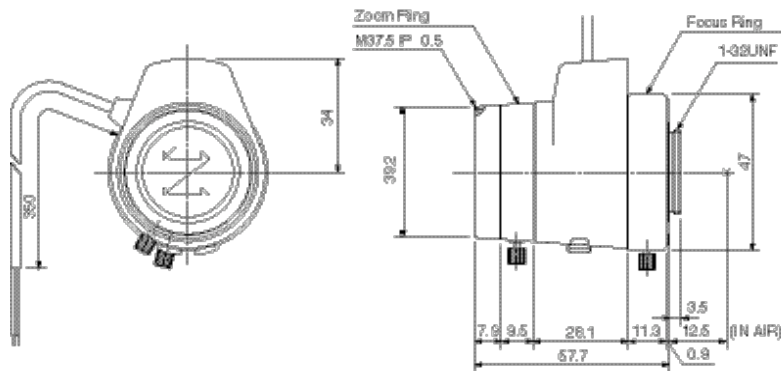
1/3

AG

Z

SP

Dimensions



Wiring Diagram



Subject to change without notice

Printed in Japan 02/04