

HG2616FCS-3

2.6mm F1.6
for 1/2" format cameras
CS-Mount

with Focus, w/o Amplifier

Model No.	HG2616FCS-3		Effective	Front	φ 23.2 mm
Focal Length	2.6mm		Lens Aperture	Rear	φ 7.5 mm
Max. Aperture Ratio	1 : 1.6		Back Focal Length	7.6 mm	
Max. Image Format	6.4 x 4.8mm (φ 8mm)		Flange Back Length	12.5 mm	
Operation Range	Iris	F1.6 ~ 360	Mount	CS-Mount	
	Focus	0.1m ~ Inf.	Filter Size	-	
Control	Iris	Auto Iris(by galvanometer)	Dimensions	φ 32.0 × 39.8 × 34.7 mm	
	Focus	Manual	Weight	45g	
Object Dimension at M.O.D.	40.9 x 23.1cm				
Angle of View	D	152.8°			
	H	127.9°			
	V	98.2°			
Coil	Drive	190 Ω			
	Control	855 Ω			
Operating Temperature	-20° C ~ +50° C				

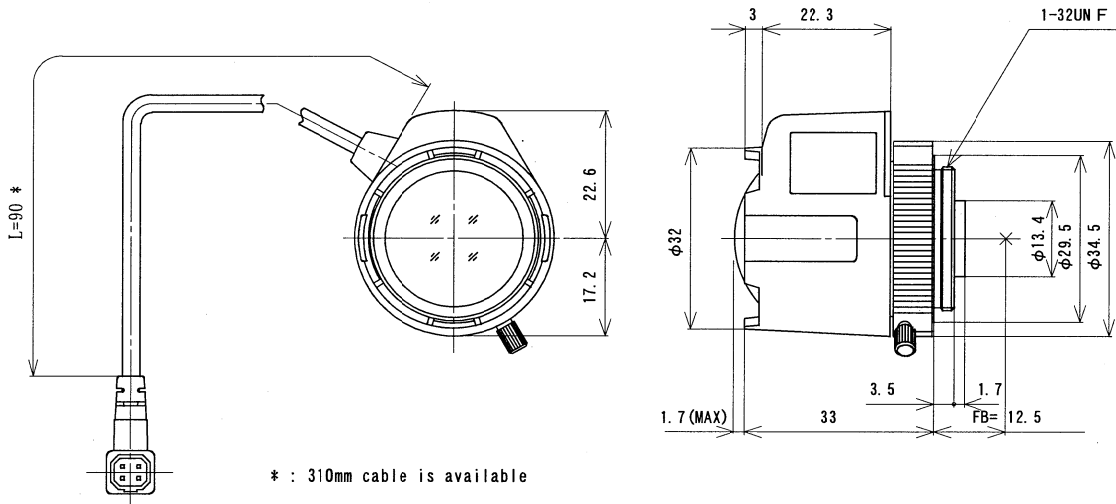
1/2

CS

AG

M.O.D. : Minimum Object Distance

Dimensions



Wiring Diagram

