

HG2616AFCS-3

2.6mm F1.6
for 1/2" format cameras
CS-Mount

with Focus & Amplifier

Model No.	HG2616AFCS-3		Effective	Front	φ 23.2 mm
Focal Length	2.6mm		Lens Aperture	Rear	φ 7.5mm
Max. Aperture Ratio	1 : 1.6		Back Focal Length	7.6 mm	
Max. Image Format	6.4 x 4.8mm (φ 8mm)		Flange Back Length	12.5 mm	
Operation Range	Iris	F1.6 ~ 360	Mount	CS-Mount	
	Focus	0.1m ~ Inf.	Filter Size	-	
Control	Iris	Auto Iris(by galvanometer)	Dimensions	φ 32.0 × 39.8 × 34.7 mm	
	Focus	Manual	Weight	48g	
Object Dimension at M.O.D.	40.9 x 23.1cm				
Angle of View	D		152.8°		
	H	1/2"	127.9°		
	V		98.2°		
Supply Voltage	DC8 ~ 16V				
Current	Less than 35mA				
Response Time	Approx. 2 sec.				
Light Weighting Method	Adjustable between Average - Peak (to be set at Average at factory)				
Input Signal	Video Signal (V or VS)				
Iris Accuracy	± 15% at Video Signal Level				
Sensitivity Adjustment	0.5 ~ 1.0Vp-p (Video Signal)				
Input Impedance	High Impedance				
Operating Temperature	-20 ~ +50°C				

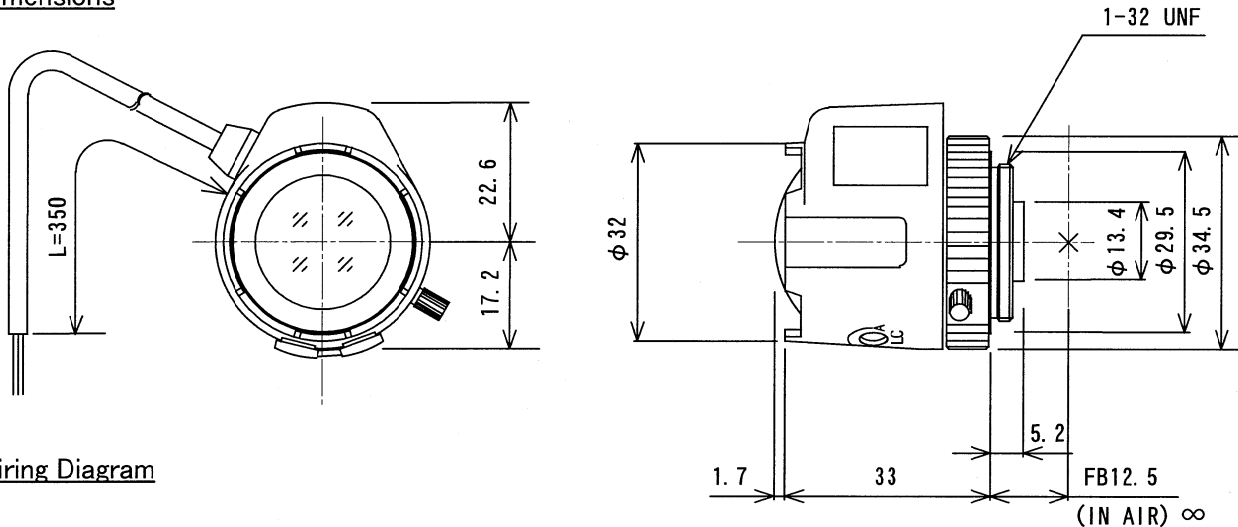
1/2

CS

AG

M.O.D. : Minimum Object Distance

Dimensions



Wiring Diagram

