

# HG0614FCS-3

6.0mm F1.4  
for 1/2" format cameras  
CS-Mount

with Focus, w/o Amplifier

Model No.	HG0614FCS-3		Effective	Front	φ 10.8 mm
Focal Length	6.0mm		Lens Aperture	Rear	φ 8.6 mm
Max. Aperture Ratio	1 : 1.4		Back Focal Length	8.2 mm	
Max. Image Format	6.4 x 4.8mm (φ 8mm)		Flange Back Length	12.5 mm	
Operation Range	Iris	F1.4 ~ 360	Mount	CS-Mount	
	Focus	0.2m ~ Inf.	Filter Size	M30.0 P=0.5	
Control	Iris	Auto Iris(by galvanometer)	Dimensions	φ 32.0 × 39.8 × 33.0 mm	
	Focus	Manual	Weight	37g	
Object Dimension at M.O.D.	22.3 x 16.3cm				
Angle of View	D	71.3°			
	H	58.3°			
	V	44.3°			
Coil	Drive	190 Ω			
	Control	855 Ω			
Operating Temperature	-20 ~ +50° C				

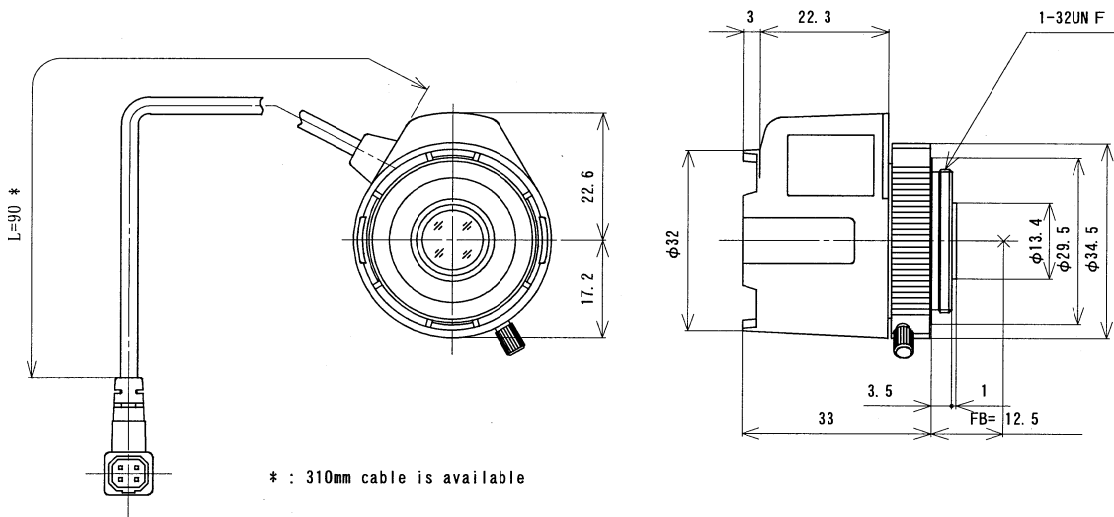
1/2

CS

AG

M.O.D. : Minimum Object Distance

Dimensions



Wiring Diagram

