

H16Z7516AMS-IR

16X 7.5mm - 120mm F1.6
for 1/2 type Cameras, Motorized Zoom
C-Mount

with Video Auto Iris and IR Corrective

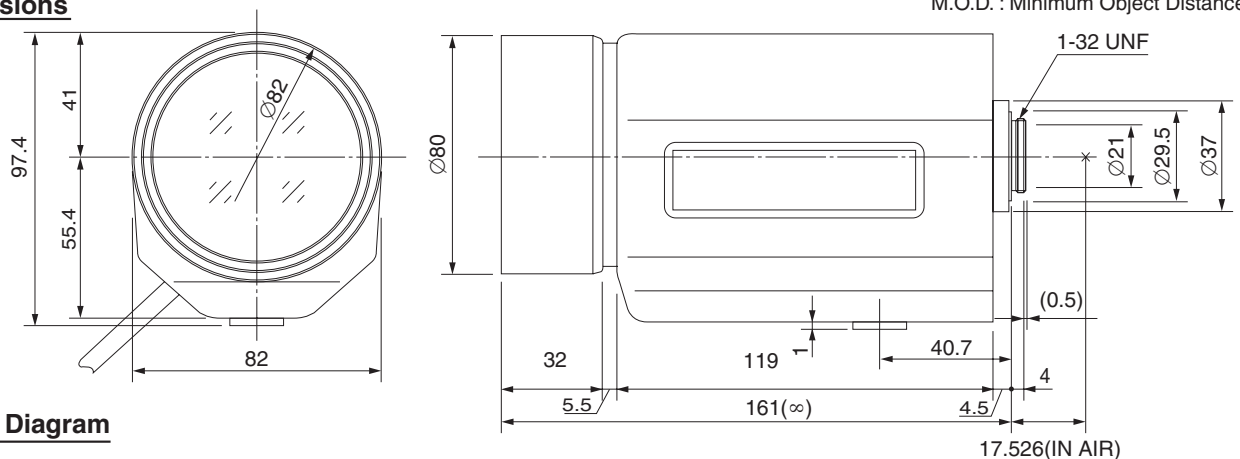
Model No.	H16Z7516AMS-IR		Effective	Front	Ø68mm		
Focal Length	7.5mm - 120mm		Lens Aperture	Rear	Ø14.3mm		
Max. Aperture Ratio	1:1.6		Back Focal Length	140mm			
Max. Image Format	6.4mm x 4.8mm(Ø8mm)		Flange Back Length	17.526mm			
Operation Range	Iris	F1.6 - F560C	Mount	C-Mount			
	Focus	1.5m - Inf.	Filter Size	M77 P=0.75mm			
	Zoom	7.5mm - 120mm	Tripod Screw	1/4 - 20UNC			
Control	Iris	Video Auto Iris	Dimensions	W82mm x H97.4mm x D161.5mm			
	Focus	Motorized	Weight	1160g			
	Zoom	Motorized					
Object Dimension at M.O.D.	7.5mm	130.4cm x 95.7cm					
	120mm	8.1cm x 6.3cm					
Angle of View	D	1/2 type	58.6° - 3.9°	1/3 type	44.1° - 2.9°	1/4 type	33.2° - 2.2°
	H		47.0° - 3.1°		35.4° - 2.4°		26.6° - 1.7°
	V	35.4° - 2.4°	26.6° - 1.7°	19.9° - 1.3°			
		Auto Iris	Focus	Zoom			
Supply Voltage	DC8.5V - DC16V		DC8V	DC8V			
Current	35mA or less		45mA or less	35mA or less			
Response Time	Approx. 2 sec.		Approx. 3.5 sec.	Approx. 3.5 sec.			
Preset Potentiometer	—		—	—			
Light Weighting Method	Adjustable between Average - Peak (to be Set at Average at Factory)						
Remote Control	Level Remote (Option)						
Input Signal	Video Signal (V or VS)						
Iris Accuracy	±15% at Video Signal Level						
Sensitivity Adjustment	0.5V(p-p) - 1.0V(p-p) (Video Signal)						
Input Impedance	High Impedance						
Operating Temperature	-10°C - +50°C						

1/2 type

C

Dimensions

M.O.D. : Minimum Object Distance



Wiring Diagram

